

DEA 2019

Spare parts list
Rev. 00



Automation for gates and doors

Branches > Italia. France. United Kingdom. España. Portugal. Deutschland. Polska. Беларусь.

INDEX

	pag.
<i>LIVI</i>	1
<i>LIVI/N</i>	8
<i>REV</i>	15
<i>GULLIVER</i>	22
<i>STING / MAC</i>	27
<i>LOOK</i>	34
<i>OLI</i>	38
<i>OLI/N</i>	41
<i>GEKO</i>	44
<i>LIVI 502</i>	48
<i>ANGOLO</i>	51
<i>GHOST 100</i>	53
<i>GHOST 200</i>	56
<i>FOUNDATION BOX</i>	58
<i>LIVI 902</i>	62
<i>ADVANCE</i>	65
<i>SPACE</i>	67
<i>TEO 700</i>	69
<i>STEEL TRACK</i>	71
<i>LATO</i>	73
<i>LIVI 550PL</i>	76
<i>PASS</i>	78
<i>STOP</i>	84
<i>BOOM ACCESSORIES</i>	91
<i>ROCK</i>	93
<i>ACCESSORIES</i>	99

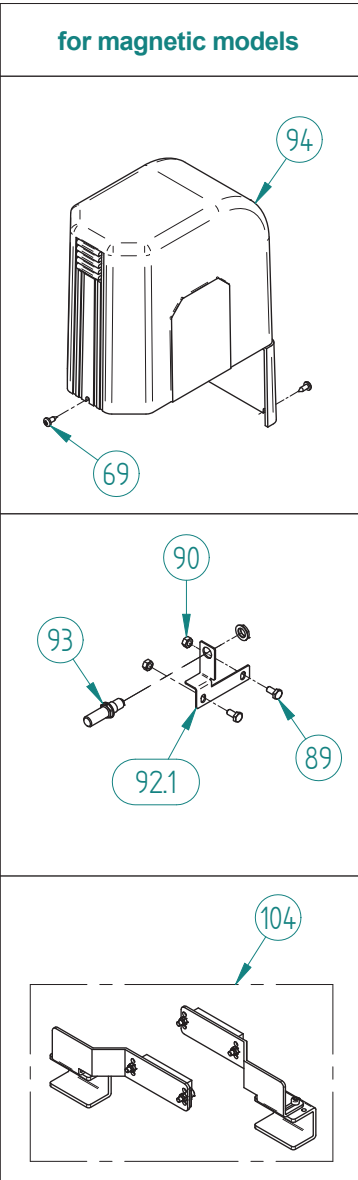
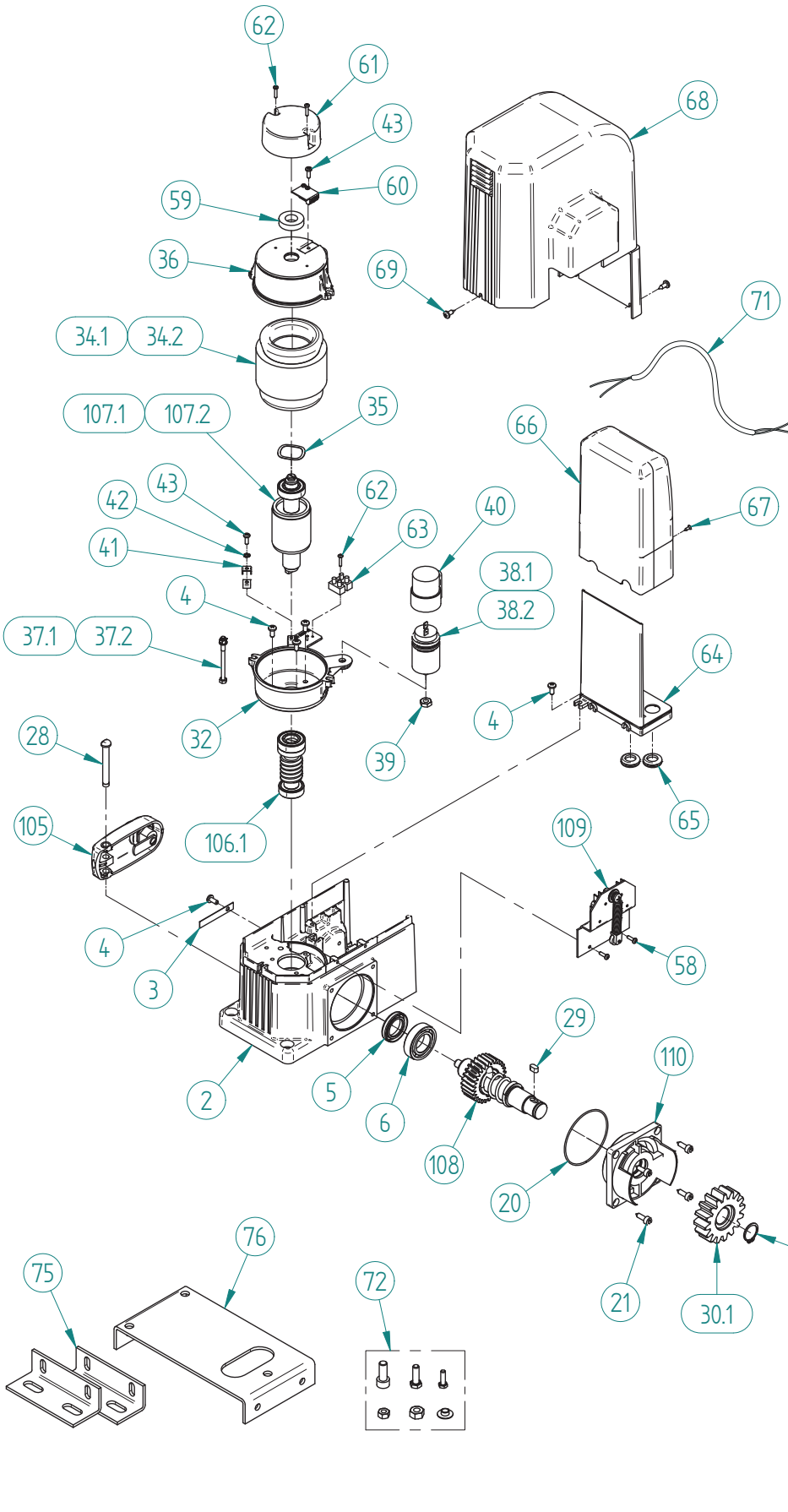
LEGENDA

Pos.	Code	Description	Minimum Qty	Unit price in Euro
POS.		Number on the exploded view		
CODE		Orderable code relative to the marked reference		
DESCRIPTION		Description of the component or pre-assembled unit		
MINIMUM QTY		Minimum quantity shipped per single order		
UNIT PRICE IN EURO		Unit price intended for single orderable component. Multiply by the minimum order quantity if this quantity is greater than 1		

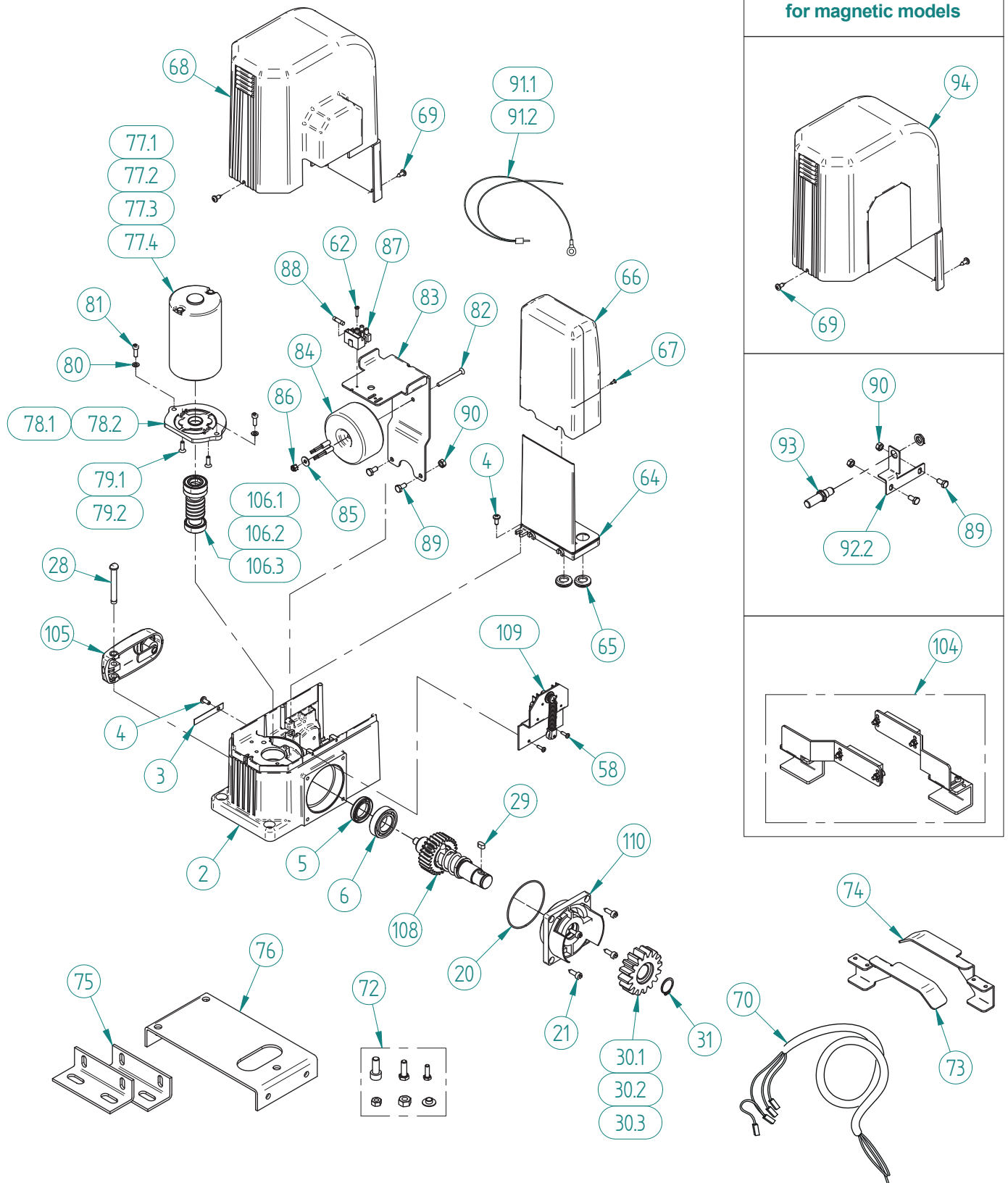
LIVI

230V

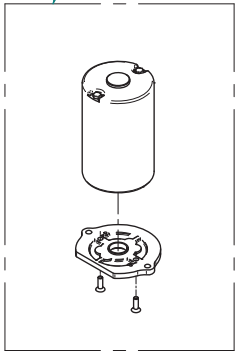
LIVI



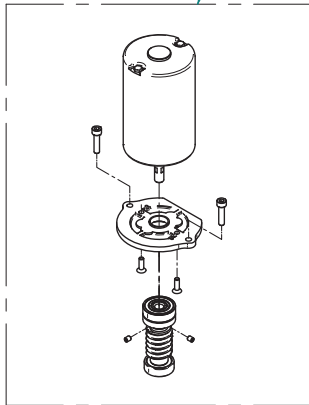
24V



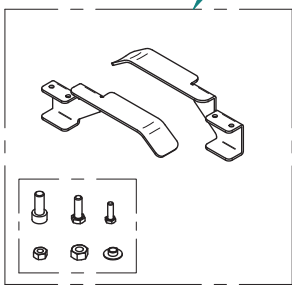
111.1 111.2 111.3



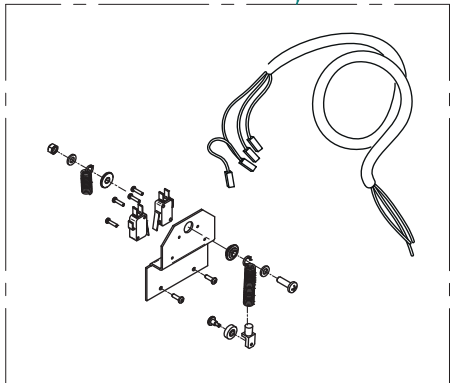
111.4



112



113



LIVI 230V

Pos.	Code	Description	Minimum Qty	Unit price in Euro
104	430072	Accessories small bag - magnetic sliding cams	1	60.00
105	440130	Unlocking lever unit for Livi (series2) and LIVI/N	1	30.00
110	445170	Side flange unit for Livi-Livi/N	1	25.00
107.1	450172	Motor shaft unit 6RR and 6NET	1	50.00
107.2	450173	Motor shaft unit 9RR and 9NET	1	65.00
106.1	460330	Worm unit for Livi	1	40.00
108	460346	Internal unlocking device unit for LIVI/N	1	60.00
109	480271	Limit switch plate unit for Livi 400-800(series2)	1	30.00
112	914000A	Mechanical limit switch cam unit for LIVI-LIVI/N (RIGHT + LEFT)	1	25.00
113	914010B	Mechanical limit switch unit for Livi-Livi/N-REV	1	40.00
2	310650	Gearmotor casing for LIVI (varnished)	1	60.00
3	350430	Unlocking device blade 10x60 th.=0.5	15	1.00
4	134503	Trilobular cap screw zinc chromate plated M5x12 UNI 8112	30	0.50
5	157003	Sealing ring SC 25x40x7	5	3.00
6	121016	Bearing 6005 ZZ (Slow) d=25 D=47 h=12	5	6.00
20	156021	NBR O-ring 70 SH 66.40x1.78 TP 2262	30	0.50
21	134101	Self tapping hexagon socket head cap screw zinc plated Ø5.5x19	30	0.50
28	321170	Ext. unlocking lever pin for LIVI/N (Nylon, glass fiber) (series2)	10	1.50
29	130203	Key 6x6x12 UNI 6604 A	10	1.50
30.1	360480	Driving pinion M=4 Z=16 Øe=72 (zinc plated)	1	20.00
31	130604	Stainless steel external Seeger retaining ring Ø22 UNI 7435-22	15	1.00
32	310680	Lower motor hood for Livi 400 (series2) (die-cast)	1	15.00
34.1	393026	Stator 90x50 H50 (two-phase)4 poles 220V 50Hz for Livi 400(series2) (Copper base 0.452 Kg)	1	95.00
34.2	393042	Stator 90x50 H80 (two-phase) 4 poles 220V 50Hz for Livi/N 900 kg	1	100.00
35	130805	Compensating ring AC 35 34.5x28x0.5 3 waves	15	1.00
36	310660	Upper motor hood for Livi 400 (series2) (die-cast)	1	15.00
37.1	485060	Motor tie rod unit for Livi 400(series2)	10	1.50
37.2	485061	Motor tie rod unit for Livi/N 900 kg	10	1.50
38.1	162020	Capacitor Aluminium P2 8µF Ø35x48 faston 6.3mm and bolt connection M8	1	15.00
38.2	162024	Capacitor Aluminium P2 12.5µF Ø35x60 faston 6.3mm and bolt connection M8	1	15.00
39	131101	Zinc plated thin nut M8 UNI 5589	30	0.50
40	162008	Plastic cap for capacitors Ø=35x40	10	1.50
41	380680	Grounding connection plate (zinc plated)	30	0.50
42	131710	Zinc plated toothed washer M4	30	0.50
43	134507	Trilobular cap screw zinc chromate plated M4x12 UNI 8112	30	0.50
58	134505	Trilobular cap screw Dacromet coating chromate passivation M3.5x12 UNI 8112	30	0.50
59	340760	Magnet 2S Øe=31.5 Øi=16 th.=8 no. 6 poles	5	3.00
60	480120	Encoder support metal sheet unit for Livi 6RR-9RR-905RR	1	30.00
61	320470	Encoder cover (plastic, ABS, black)	5	3.00
62	134506	Trilobular cap screw zinc chromate plated M3x15 UNI 8112	30	0.50
63	184020	Terminal strip (Nylon, white, 110°, 2 poles)	10	1.50
64	321220	ABS self-extinguishing electric box base for Livi 400 (series2)	5	5.00
65	184012	PVC cable grommet DGC-PVC 11 black	5	3.00
66	321230	ABS self-extinguishing electric box cover for Livi 400 (series2)	2	10.00
67	134407	Self tapping flat countersunk head screw zinc chromate plated Ø2.9x9.5 UNI 6955	30	0.50

68	328040	Guard for Livi with limit switch (with screen-printed DEA brand)	1	20.00
69	134305	Stainless steel self tapping cap screw chromate plated Ø4.8x13 UNI 6954	30	0.50
70	396440	Black cable 3x0.5 L=500mm+faston	2	8.00
71	396590	Bipolar cable 2x1 l=390mm	5	6.00
72	430070	Accessories small bag - iron limit switch cams for Livi 400-800	2	10.00
73	380851	Right limit switch cam for LIVI (zinc plated) V2	2	8.00
74	380861	Left limit switch cam for LIVI (zinc plated) V2	2	8.00
75	380840	Base adjustment angle 120x37x50 (zinc plated)	2	10.00
76	380830	Foundation base 235x125x36 th.=40/10 (zinc plated)	1	30.00
89	132221	Hexagon head screw 8.8 zinc plated M6x12 UNI 5739	30	0.50
90	131306	Zinc plated thick nut M6 UNI 5587	30	0.50
92.1	382320	Magnetic sensor bracket for LIVI 230V	1	20.00
93	166003	Double contact cylindrical magnetic sensor cable L=1mt	1	55.00
94	328041	Guard for Livi without limit switch (with screen-printed DEA brand)	1	20.00

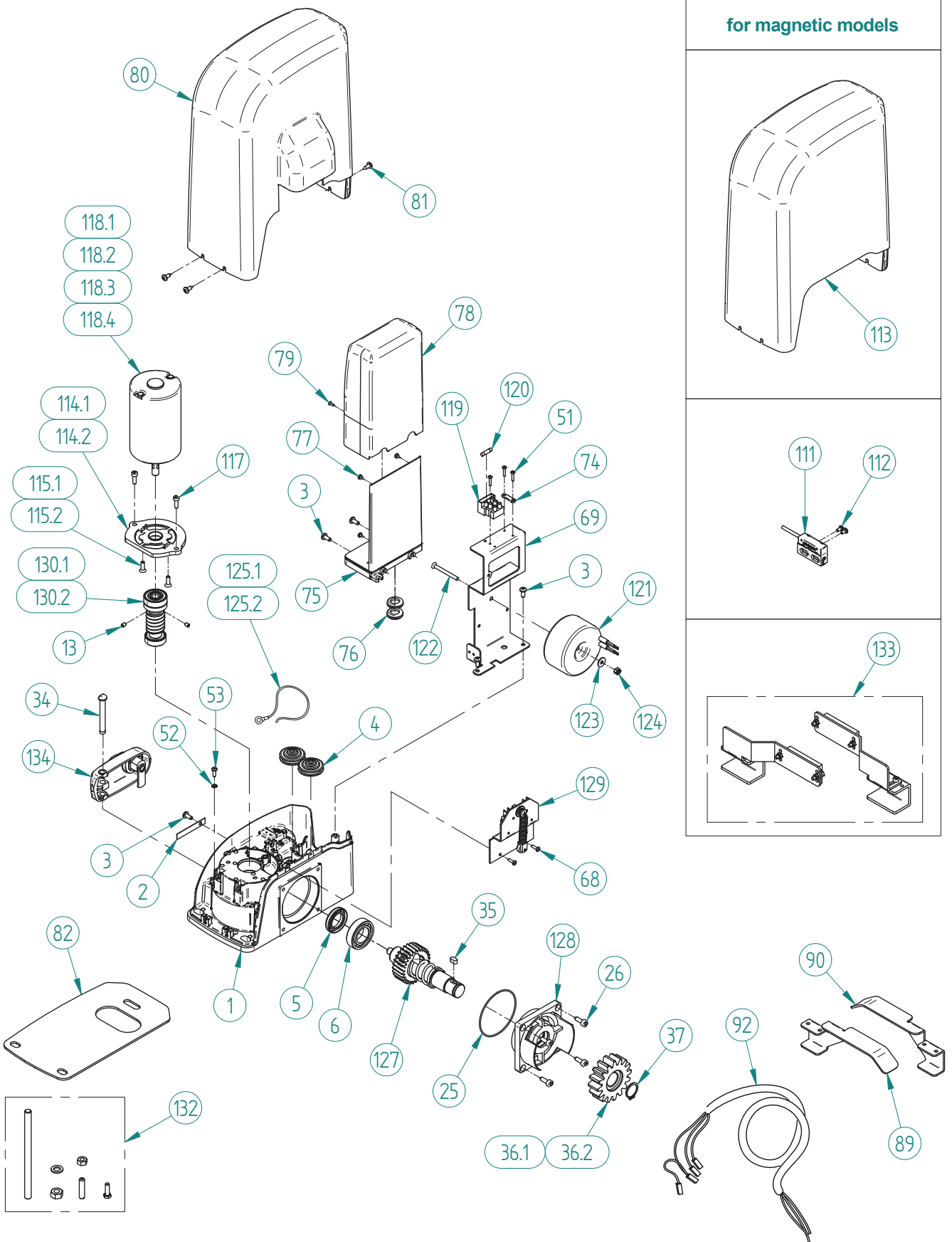
LIVI 24V

Pos.	Code	Description	Minimum Qty	Unit price in Euro
104	430072	Accessories small bag - magnetic sliding cams	1	60.00
105	440130	Unlocking lever unit for Livi (series2) and LIVI/N	1	30.00
110	445170	Side flange unit for Livi-Livi/N	1	25.00
106.2	460334	Worm unit for Livi Boost	1	45.00
106.3	460333	Worm unit M=2 l=1 L=82 Øi=8 with bearings - LIVI/N 3/24	1	40.00
108	460346	Internal unlocking device unit for LIVI/N	1	60.00
112	914000A	Mechanical limit switch cam unit for LIVI-LIVI/N (RIGHT + LEFT)	1	25.00
113	914010B	Mechanical limit switch unit for Livi-Livi/N-REV	1	40.00
111.1 470363 Motor unit Livi 400-800 24V 2000rpm				
77,1	398101	24V motor Ø77 2000rpm (series3) with FILTER for Livi 5/24NET	1	125.00
78,1	310670	Adapter flange for 24V motor Livi 400-800 (series2) (die-cast)	2	10.00
79.1	132616	Hexagon socket countersunk flat head screw zinc plated M5x16 DIN 7991 DRI-LOC 2045	15	1.00
91.1	397183	Yellow-green cable, triple, with wire end ferrule and eyelets for Livi 400-800 24 V	2	10.00
111.2 470364 Motor unit 8RR 24V 2000RPM				
77,2	398111	Motor 24V Ø77 100W 2000rpm (series3) Livi 8/24 NET with FILTER	1	130.00
78,1	310670	Adapter flange for 24V motor Livi 400-800 (series2) (die-cast)	2	10.00
79.1	132616	Hexagon socket countersunk flat head screw zinc plated M5x16 DIN 7991 DRI-LOC 2045	15	1.00
91.1	397183	Yellow-green cable, triple, with wire end ferrule and eyelets for Livi 400-800 24 V	2	10.00
111.3 470365 24V motor unit BOOST 3000rpm				
77,3	398116	Motor 24V Ø77 100W 3000rpm Livi 8/24NET + FILTER	1	135.00
78,1	310670	Adapter flange for 24V motor Livi 400-800 (series2) (die-cast)	2	10.00
79.1	132616	Hexagon socket countersunk flat head screw zinc plated M5x16 DIN 7991 DRI-LOC 2045	15	1.00
91.1	397183	Yellow-green cable, triple, with wire end ferrule and eyelets for Livi 400-800 24 V	2	10.00
111.4 470366 24V motor unit for Livi 300kg with worm				
77,4	398240	24V motor Ø59mm for Livi 300 kg	1	100.00
78.2	310671	Machined flange for 24V motor Livi 300kg	1	35.00
79,2	132600	Flat countersunk head screw zinc chromate plated M5x8 UNI 7688	30	0.50
106.3	460333	Worm unit M=2 l=1 L=82 Øi=8 with bearings - LIVI/N 3/24	1	40.00
Transformer support plate unit for Livi 400-800 (series 2)				
62	134506	Trilobular cap screw zinc chromate plated M3x15 UNI 8112	30	0.50
82	132607	Hexagon socket countersunk flat head screw zinc plated M5x50 UNI 5933	15	1.00
83	381160	Transf./batt. support plate for Livi 400/800(series2)	1	15.00
84	162102	Toroidal transformer 80VA 230V/22V (no-load) + thermal switch and internal resin coating	1	65.00
85	131412	Zinc plated Fender washer 5x15x1,2	30	0.50
86	131202	Zinc plated standard self-locking nut M5 UNI 7473	30	0.50
87	184036	Fuse holder terminal strip (3 poles)	2	8.00
88	168001	Delayed fuse 5x20 1A	5	3.00
109	480271	Limit switch plate unit for Livi 400-800(series2)	1	30.00
2	310650	Gearmotor casing for LIVI (varnished)	1	60.00

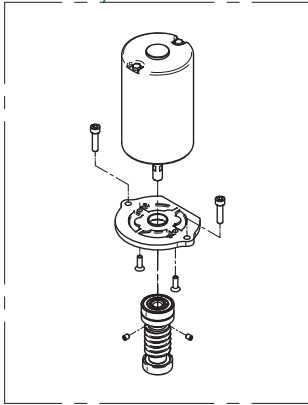
3	350430	Unlocking device blade 10x60 th.=0.5	15	1.00
4	134503	Trilobular cap screw zinc chromate plated M5x12 UNI 8112	30	0.50
5	157003	Sealing ring SC 25x40x7	5	3.00
6	121016	Bearing 6005 ZZ (Slow) d=25 D=47 h=12	5	6.00
20	156021	NBR O-ring 70 SH 66.40x1.78 TP 2262	30	0.50
21	134101	Self tapping hexagon socket head cap screw zinc plated Ø5.5x19	30	0.50
28	321170	Ext. unlocking lever pin for LIVI/N (Nylon, glass fiber) (series2)	10	1.50
29	130203	Key 6x6x12 UNI 6604 A	10	1.50
30.1	360480	Driving pinion M=4 Z=16 Øe=72 (zinc plated)	1	20.00
30.2	360482	Driving pinion M=4 Z=18 Øe=80 (zinc plated) for LIVI	1	35.00
30.3	360450	Driving pinion M=4 Z=13 Øe=60 (zinc plated)	1	25.00
31	130604	Stainless steel external Seeger retaining ring Ø22 UNI 7435-22	15	1.00
58	134505	Trilobular cap screw Dacromet coating chromate passivation M3.5x12 UNI 8112	30	0.50
64	321220	ABS self-extinguishing electric box base for Livi 400 (series2)	5	5.00
65	184012	PVC cable grommet DGC-PVC 11 black	5	3.00
66	321230	ABS self-extinguishing electric box cover for Livi 400 (series2)	2	10.00
67	134407	Self tapping flat countersunk head screw zinc chromate plated Ø2.9x9.5 UNI 6955	30	0.50
68	328040	Guard for Livi with limit switch (with screen-printed DEA brand)	1	20.00
69	134305	Stainless steel self tapping cap screw chromate plated Ø4.8x13 UNI 6954	30	0.50
70	396440	Black cable 3x0.5 L=500mm+faston	2	8.00
72	430070	Accessories small bag - iron limit switch cams for Livi 400-800	2	10.00
73	380851	Right limit switch cam for LIVI (zinc plated) V2	2	8.00
74	380861	Left limit switch cam for LIVI (zinc plated) V2	2	8.00
75	380840	Base adjustment angle 120x37x50 (zinc plated)	2	10.00
76	380830	Foundation base 235x125x36 th.=40/10 (zinc plated)	1	30.00
80	131507	Zinc plated flat washer Ø5 UNI 6592	30	0.50
81	134602	Trilobular hexagon socket head cap screw zinc plated M5x15	30	0.50
89	132221	Hexagon head screw 8.8 zinc plated M6x12 UNI 5739	30	0.50
90	131306	Zinc plated thick nut M6 UNI 5587	30	0.50
92.2	382321	Magnetic sensor bracket for LIVI 24V	1	15.00
93	166003	Double contact cylindrical magnetic sensor cable L=1mt	1	55.00
94	328041	Guard for Livi without limit switch (with screen-printed DEA brand)	1	20.00

24V

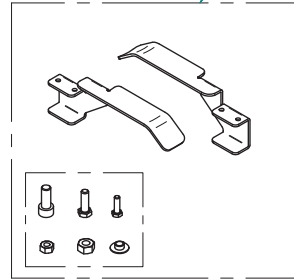
LIVI/N



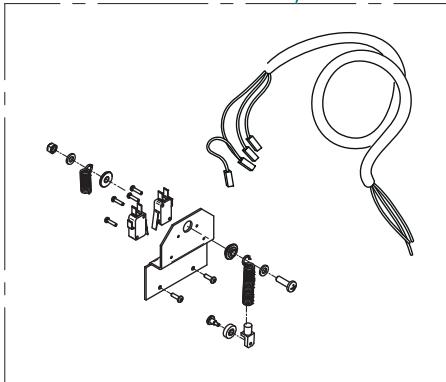
134.1 134.2 134.3 134.4



135



136



LIVI/N 230V

Pos.	Code	Description	Minimum Qty	Unit price in Euro
128	445170	Side flange unit for Livi-Livi/N	1	25.00
131.1	450175	Motor shaft unit for LIVI 6N with bearing	1	60.00
131.2	450176	Motor shaft unit for LIVI 9N with bearing	1	60.00
130.1	460332	Worm unit M=2 I=1 L=82 Øi=10 with bearings - LIVI/N	1	50.00
127	460346	Internal unlocking device unit for LIVI/N	1	60.00
134	440130	Unlocking lever unit for Livi (series2) and LIVI/N	1	30.00
129	480271	Limit switch plate unit for Livi 400-800(series2)	1	30.00
132	430073	Accessories small bag for LIVI/N	1	15.00
133	430072	Accessories small bag - magnetic sliding cams	1	60.00
135	914000A	Mechanical limit switch cam unit for LIVI-LIVI/N (RIGHT + LEFT)	1	25.00
136	914010B	Mechanical limit switch unit for Livi-Livi/N-REV	1	40.00
1	311530	Gearmotor casing (varnished) for LIVI/N	1	60.00
2	350430	Unlocking device blade 10x60 th.=0.5	15	1.00
3	134503	Trilobular cap screw zinc chromate plated M5x12 UNI 8112	30	0.50
4	184053	Special cable grommet	10	2.00
5	157003	Sealing ring SC 25x40x7	5	3.00
6	121016	Bearing 6005 ZZ (Slow) d=25 D=47 h=12	5	6.00
12	310681	Lower motor hood for LIVI/N	1	15.00
13	133510	Flat point grub screw M5x6 with surface treatment: ZB+AUT.PROMOFREN 360 3M S.G. 2353	15	1.00
25	156021	NBR O-ring 70 SH 66.40x1.78 TP 2262	30	0.50
26	134101	Self tapping hexagon socket head cap screw zinc plated Ø5.5x19	30	0.50
34	321170	Ext. unlocking lever pin for LIVI/N (Nylon, glass fiber) (series2)	10	1.50
35	130203	Key 6x6x12 UNI 6604 A	10	1.50
36.1	360480	Driving pinion M=4 Z=16 Øe=72 (zinc plated)	1	20.00
36.2	360450	Driving pinion M=4 Z=13 Øe=60 (zinc plated)	1	25.00
37	130604	Stainless steel external Seeger retaining ring Ø22 UNI 7435-22	15	1.00
38.1	393026	Stator 90x50 H50 (two-phase)4 poles 220V 50Hz for Livi 400(series2) (Copper base 0.452 Kg)	1	95.00
38.2	393042	Stator 90x50 H80 (two-phase) 4 poles 220V 50Hz for Livi/N 900 kg	1	100.00
39	310660	Upper motor hood for Livi 400 (series2) (die-cast)	1	15.00
40	130805	Compensating ring AC 35 34.5x28x0.5 3 waves	15	1.00
42.1	485060	Motor tie rod unit for Livi 400(series2)	10	1.50
42.2	485061	Motor tie rod unit for Livi/N 900 kg	10	1.50
45	340760	Magnet 2S Øe=31.5 Øi=16 th.=8 no. 6 poles	5	3.00
49	134507	Trilobular cap screw zinc chromate plated M4x12 UNI 8112	30	0.50
50	320470	Encoder cover (plastic, ABS, black)	5	3.00
51	134506	Trilobular cap screw zinc chromate plated M3x15 UNI 8112	30	0.50
52	131710	Zinc plated toothed washer M4	30	0.50
53	134507	Trilobular cap screw zinc chromate plated M4x12 UNI 8112	30	0.50
68	134505	Trilobular cap screw Dacromet coating chromate passivation M3.5x12 UNI 8112	30	0.50
69	382810	Central unit support for LIVI/N	1	20.00
70.1	162020	Capacitor Aluminium P2 8µF Ø35x48 faston 6.3mm and bolt connection M8	1	15.00
70.2	162024	Capacitor Aluminium P2 12.5µF Ø35x60 faston 6.3mm and bolt connection M8	1	15.00
71	131101	Zinc plated thin nut M8 UNI 5589	30	0.50
72	162008	Plastic cap for capacitors Ø=35x40	10	1.50
73	184024	Terminal strip (Nylon, white, 110°, 3 poles)	10	2.00

74	184056	Cable tie 25x3x7x4.2	30	0.50
75	321220	ABS self-extinguishing electric box base for Livi 400 (series2)	5	5.00
76	184012	PVC cable grommet DGC-PVC 11 black	5	3.00
77	134209	Self tapping cap screw zinc chromate plated Ø3.5x6.5 UNI 6954	30	0.50
78	321230	ABS self-extinguishing electric box cover for Livi 400 (series2)	2	10.00
79	134407	Self tapping flat countersunk head screw zinc chromate plated Ø2.9x9.5 UNI 6955	30	0.50
80	328590	Guard for LIVI/N with mechanical limit switch	1	25.00
81	134305	Stainless steel self tapping cap screw chromate plated Ø4.8x13 UNI 6954	30	0.50
82	382830	Metal sheet base for LIVI/N	1	15.00
83	480120	Encoder support metal sheet unit for Livi 6RR-9RR-905RR	1	30.00
89	380851	Right limit switch cam for LIVI (zinc plated) V2	2	8.00
90	380861	Left limit switch cam for LIVI (zinc plated) V2	2	8.00
92	396440	Black cable 3x0.5 L=500mm+faston	2	8.00
93	397051	Yellow-green cable 1x1.5 L=340 with eyelet for LIVI/N 230V	10	2.00
94	396590	Bipolar cable 2x1 l=390mm	5	6.00
111	166010	Magnetic sensor E750 + fastening bracket 1175	1	40.00
112	134512	Trilobular cap screw zinc chromate plated M4x8 UNI 8112	30	0.50
113	328600	Guard for LIVI/N with magnetic limit switch	1	25.00

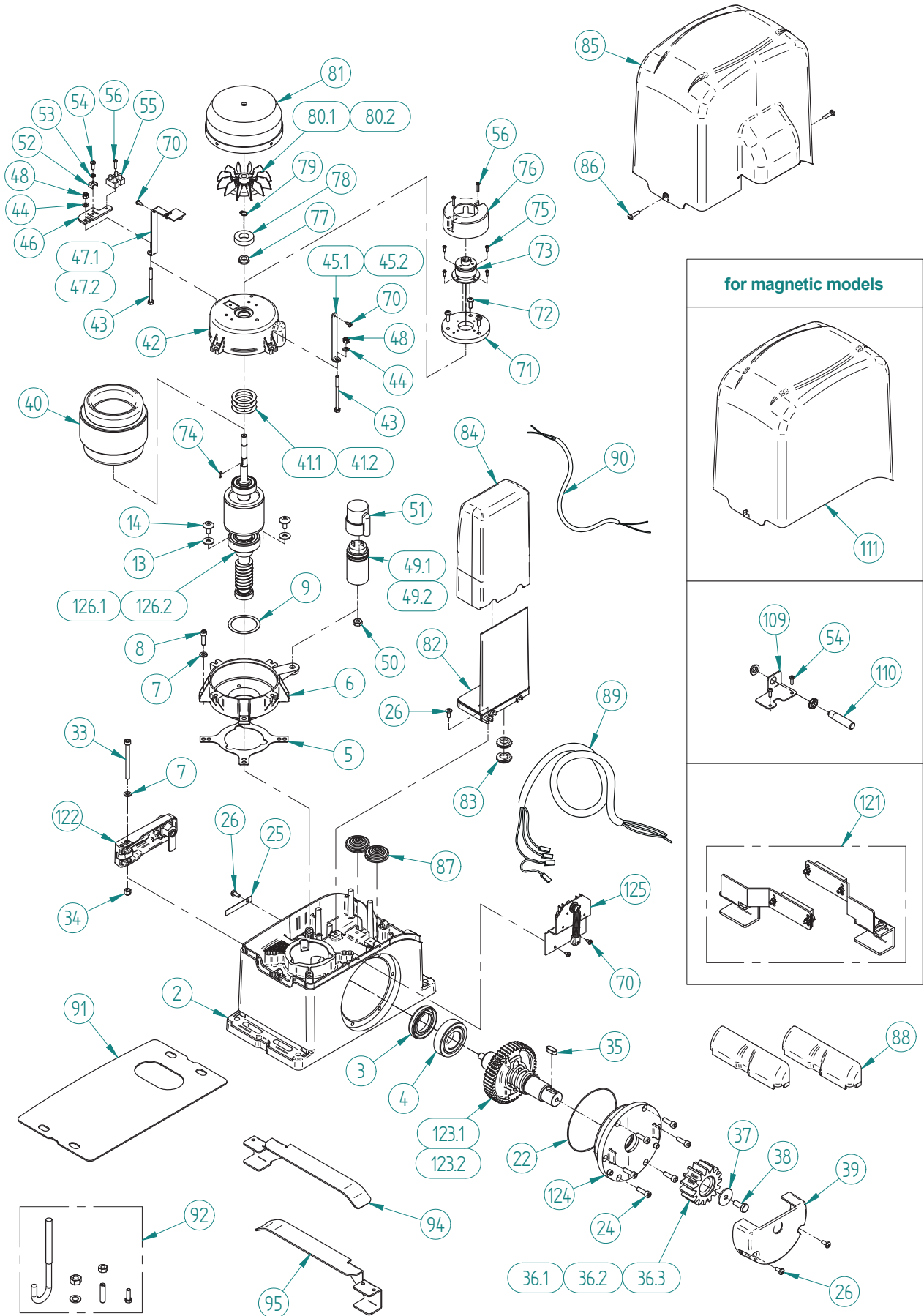
LIVI/N 24V

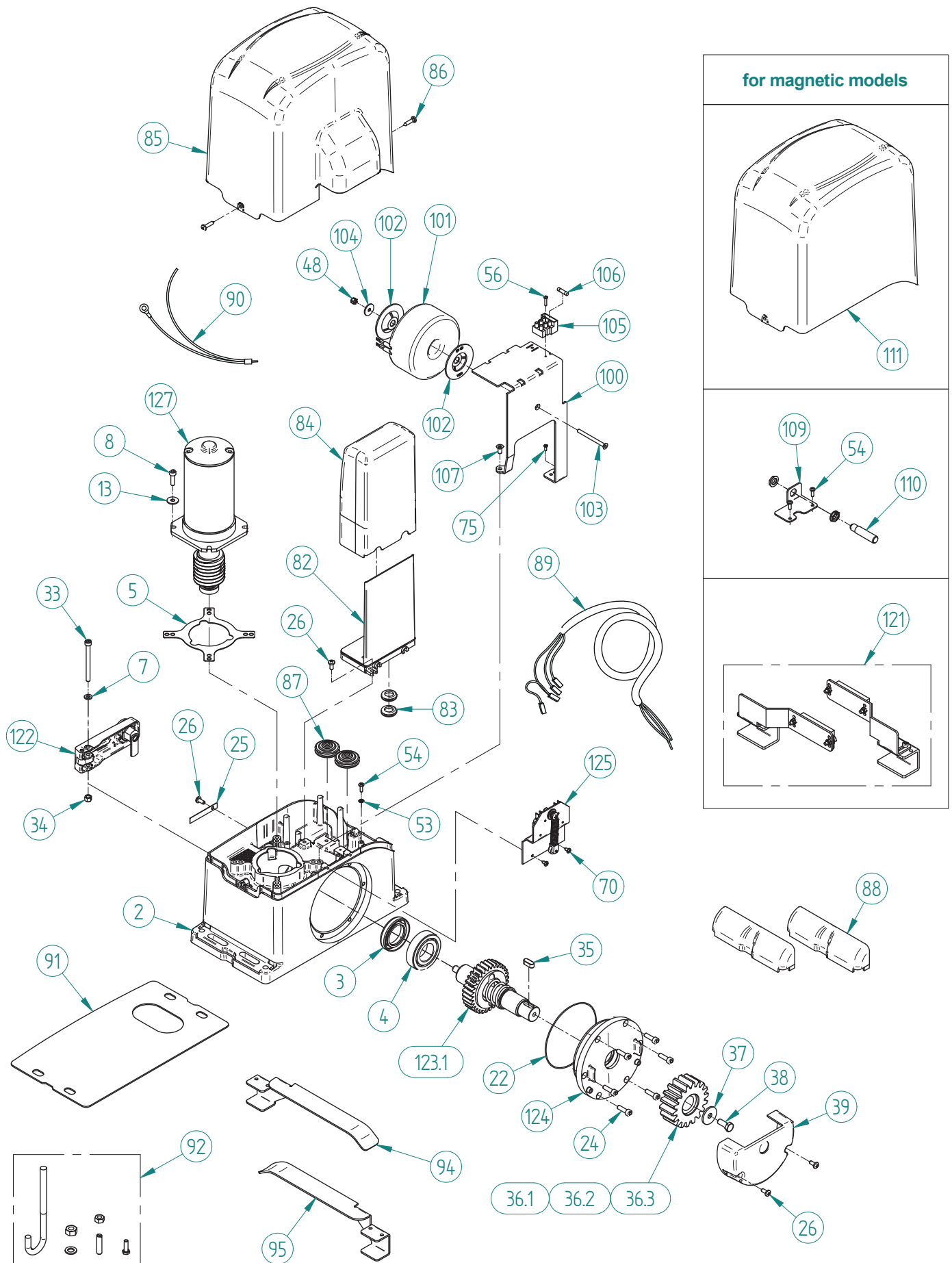
Pos.	Code	Description	Minimum Qty	Unit price in Euro
128	445170	Side flange unit for Livi-Livi/N	1	25.00
130.1	460332	Worm unit M=2 l=1 L=82 Øi=10 with bearings - LIVI/N	1	50.00
130.2	460333	Worm unit M=2 l=1 L=82 Øi=8 with bearings - LIVI/N 3/24	1	40.00
127	460346	Internal unlocking device unit for LIVI/N	1	60.00
134	440130	Unlocking lever unit for Livi (series2) and LIVI/N	1	30.00
129	480271	Limit switch plate unit for Livi 400-800(series2)	1	30.00
132	430073	Accessories small bag for LIVI/N	1	15.00
133	430072	Accessories small bag - magnetic sliding cams	1	60.00
135	914000A	Mechanical limit switch cam unit for LIVI-LIVI/N (RIGHT + LEFT)	1	25.00
136	914010B	Mechanical limit switch unit for Livi-Livi/N-REV	1	40.00
24V motor unit for Livi/N 6/24N with worm				
134.1	470368	24V motor unit for Livi/N 6/24N with worm	1	165.00
118.1	398104	Motor Ø=77 24V with filter for LIVI/N 6/24	1	130.00
114.1	310670	Adapter flange for 24V motor Livi 400-800 (series2) (die-cast)	2	10.00
115.1	132616	Hexagon socket countersunk flat head screw zinc plated M5x16 DIN 7991 DRI-LOC 2045	15	1.00
130.1	460332	Worm unit M=2 l=1 L=82 Øi=10 with bearings - LIVI/N	1	50.00
13	133510	Flat point grub screw M5x6 with surface treatment: ZB+AUT.PROMOFREN 360 3M S.G. 2353	15	1.00
117	134600	Trilobular hexagon socket head cap screw zinc plated M6x25	15	1.00
24V motor unit for Livi/N 9/24N with worm				
134.2	470369	24V motor unit for Livi/N 9/24N with worm	1	170.00
118.2	398117	Motor Ø=77 24V with filter LIVI/N 9/24	1	130.00
114.1	310670	Adapter flange for 24V motor Livi 400-800 (series2) (die-cast)	2	10.00
115.1	132616	Hexagon socket countersunk flat head screw zinc plated M5x16 DIN 7991 DRI-LOC 2045	15	1.00
130.1	460332	Worm unit M=2 l=1 L=82 Øi=10 with bearings - LIVI/N	1	50.00
13	133510	Flat point grub screw M5x6 with surface treatment: ZB+AUT.PROMOFREN 360 3M S.G. 2353	15	1.00
117	134600	Trilobular hexagon socket head cap screw zinc plated M6x25	15	1.00
24V motor unit for Livi/N 6/24N BOOST with worm				
134.3	470382	24V motor unit for Livi/N 6/24N BOOST with worm	1	170.00
118.3	398118	Motor Ø=77 24V with filter LIVI/N BOOST 3000rpm	1	130.00
114.1	310670	Adapter flange for 24V motor Livi 400-800 (series2) (die-cast)	2	10.00
115.1	132616	Hexagon socket countersunk flat head screw zinc plated M5x16 DIN 7991 DRI-LOC 2045	15	1.00
130.1	460332	Worm unit M=2 l=1 L=82 Øi=10 with bearings - LIVI/N	1	50.00
13	133510	Flat point grub screw M5x6 with surface treatment: ZB+AUT.PROMOFREN 360 3M S.G. 2353	15	1.00
117	134600	Trilobular hexagon socket head cap screw zinc plated M6x25	15	1.00
24V motor unit for Livi 300kg with worm				
134.4	470366	24V motor unit for Livi 300kg with worm	1	130.00
118.4	398240	24V motor Ø59mm for Livi 300 kg	1	100.00
114.2	310671	Machined flange for 24V motor Livi 300kg	1	35.00
115.2	132600	Flat countersunk head screw zinc chromate plated M5x8 UNI 7688	30	0.50
130.2	460333	Worm unit M=2 l=1 L=82 Øi=8 with bearings - LIVI/N 3/24	1	40.00
13	133510	Flat point grub screw M5x6 with surface treatment: ZB+AUT.PROMOFREN 360 3M S.G. 2353	15	1.00
Gearmotor casing (varnished) for LIVI/N				
1	311530	Gearmotor casing (varnished) for LIVI/N	1	60.00
Unlocking device blade 10x60 th.=0.5				
2	350430	Unlocking device blade 10x60 th.=0.5	15	1.00

3	134503	Trilobular cap screw zinc chromate plated M5x12 UNI 8112	30	0.50
4	184053	Special cable grommet	10	2.00
5	157003	Sealing ring SC 25x40x7	5	3.00
6	121016	Bearing 6005 ZZ (Slow) d=25 D=47 h=12	5	6.00
13	133510	Flat point grub screw M5x6 with surface treatment: ZB+AUT.PROMOFREN 360 3M S.G. 2353	15	1.00
25	156021	NBR O-ring 70 SH 66.40x1.78 TP 2262	30	0.50
26	134101	Self tapping hexagon socket head cap screw zinc plated Ø5.5x19	30	0.50
34	321170	Ext. unlocking lever pin for LIVI/N (Nylon, glass fiber) (series2)	10	1.50
35	130203	Key 6x6x12 UNI 6604 A	10	1.50
36.1	360480	Driving pinion M=4 Z=16 Øe=72 (zinc plated)	1	20.00
36.2	360450	Driving pinion M=4 Z=13 Øe=60 (zinc plated)	1	25.00
37	130604	Stainless steel external Seeger retaining ring Ø22 UNI 7435-22	15	1.00
51	134506	Trilobular cap screw zinc chromate plated M3x15 UNI 8112	30	0.50
52	131710	Zinc plated toothed washer M4	30	0.50
53	134507	Trilobular cap screw zinc chromate plated M4x12 UNI 8112	30	0.50
68	134505	Trilobular cap screw Dacromet coating chromate passivation M3.5x12 UNI 8112	30	0.50
69	382810	Central unit support for LIVI/N	1	20.00
74	184056	Cable tie 25x3x7x4.2	30	0.50
75	321220	ABS self-extinguishing electric box base for Livi 400 (series2)	5	5.00
76	184012	PVC cable grommet DGC-PVC 11 black	5	3.00
77	134209	Self tapping cap screw zinc chromate plated Ø3.5x6.5 UNI 6954	30	0.50
78	321230	ABS self-extinguishing electric box cover for Livi 400 (series2)	2	10.00
79	134407	Self tapping flat countersunk head screw zinc chromate plated Ø2.9x9.5 UNI 6955	30	0.50
80	328590	Guard for LIVI/N with mechanical limit switch	1	25.00
81	134305	Stainless steel self tapping cap screw chromate plated Ø4.8x13 UNI 6954	30	0.50
82	382830	Metal sheet base for LIVI/N	1	15.00
89	380851	Right limit switch cam for LIVI (zinc plated) V2	2	8.00
90	380861	Left limit switch cam for LIVI (zinc plated) V2	2	8.00
92	396440	Black cable 3x0.5 L=500mm+faston	2	8.00
111	166010	Magnetic sensor E750 + fastening bracket 1175	1	40.00
112	134512	Trilobular cap screw zinc chromate plated M4x8 UNI 8112	30	0.50
113	328600	Guard for LIVI/N with magnetic limit switch	1	25.00
114.1	310670	Adapter flange for 24V motor Livi 400-800 (series2) (die-cast)	2	10.00
114.2	310671	Machined flange for 24V motor Livi 300kg	1	35.00
115.1	132616	Hexagon socket countersunk flat head screw zinc plated M5x16 DIN 7991 DRI-LOC 2045	15	1.00
115.2	132600	Flat countersunk head screw zinc chromate plated M5x8 UNI 7688	30	0.50
117	134600	Trilobular hexagon socket head cap screw zinc plated M6x25	30	0.50
118.1	398104	Motor Ø=77 24V with filter for LIVI/N 6/24	1	130.00
118.2	398117	Motor Ø=77 24V with filter LIVI/N 9/24	1	130.00
118.3	398118	Motor Ø=77 24V with filter LIVI/N BOOST 3000rpm	1	130.00
118.4	398240	24V motor Ø59mm for Livi 300 kg	1	100.00
119	184036	Fuse holder terminal strip (3 poles)	2	8.00
120	168001	Delayed fuse 5x20 1A	5	3.00
121	162102	Toroidal transformer 80VA 230V/22V (no-load) + thermal switch and internal resin coating	1	65.00
122	132607	Hexagon socket countersunk flat head screw zinc plated M5x50 UNI 5933	15	1.00
123	131412	Zinc plated Fender washer 5x15x1,2	30	0.50
124	131202	Zinc plated standard self-locking nut M5 UNI 7473	30	0.50
125.1	397451	Yellow-green cable, double, with wire end ferrule and eyelet for art 3/24NE	5	5.00
125.2	397188	Yellow/green cable, double, with wire end ferrule and eyelet for LIVI/N 24V	5	5.00

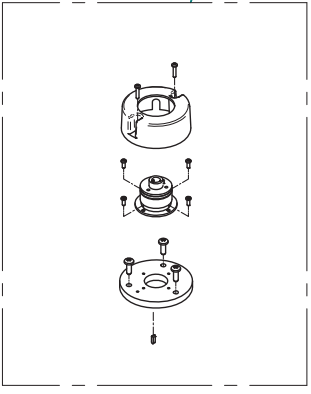
REV

230V

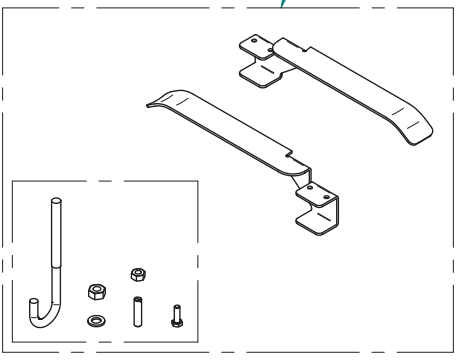




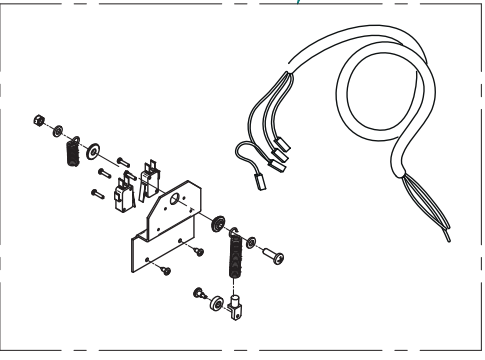
128



129



130



REV 230V

Pos.	Code	Description	Minimum Qty	Unit price in Euro
92	430380	Accessories small bag for REV-460	1	30.00
121	430072	Accessories small bag - magnetic sliding cams	1	60.00
124	445300	Flange unit for REV	1	40.00
122	445310	Unlocking lever unit for REV	1	45.00
126.1	450220	Motor shaft unit for Rev 230	1	130.00
126.2	450221	Motor shaft unit for Rev Reversible	1	140.00
123.1	460680	Internal unlocking device unit for REV	1	110.00
123.2	460681	Internal unlocking device unit for REV REVERSIBLE	1	200.00
125	480271	Limit switch plate unit for Livi 400-800(series2)	1	30.00
128	916110L	Electric brake unit for REV RF	1	240.00
129	913241X	Mechanical limit switch cam unit for REV - Gulliver	1	30.00
130	914010B	Mechanical limit switch unit for Livi-Livi/N-REV	1	40.00
2	311090	Gearmotor casing (varnished) for REV	1	105.00
3	157018	Sealing ring SC 30x56x10	5	6.00
4	121021	Bearing 6206 ZZ (Slow) d=30 D=62 h=16	1	15.00
5	322260	Base-flange gasket for REV	5	4.00
6	311120	Lower motor hood for REV	1	30.00
7	131502	Zinc plated flat washer Ø6 UNI 6592	30	0.50
8	134601	Trilobular hexagon socket head cap screw zinc plated M6x20	30	0.50
9	130925	Shim ring 42x52x0.2	15	1.00
13	131401	Zinc plated Fender washer Ø6.5x18x1.5	30	0.50
14	132020	Hexagon socket button head screw 8.8 zinc plated M6x16 ISO 7380	30	0.50
22	156066	NBR O-ring 70 SH 110x1.5	10	2.00
24	132005	Hexagon socket head cap screw 8.8 zinc plated M6x20 UNI 5931	30	0.50
25	350430	Unlocking device blade 10x60 th.=0.5	15	1.00
26	134503	Trilobular cap screw zinc chromate plated M5x12 UNI 8112	30	0.50
33	132088	Hexagon socket head cap screw 8.8 zinc plated M6x70 partially threaded UNI 5931	15	1.00
34	131204	Zinc plated standard self-locking nut M6 UNI 7473	30	0.50
35	130221	Key 8x7x20 UNI 6604 A	10	1.50
36.1	360670	Driving pinion Z18 for REV	1	30.00
36.2	360671	Driving pinion Z15 for REV	1	25.00
36.3	360675	Driving pinion Z22 for REV	1	60.00
37	131403	Zinc plated Fender washer Ø8x32x2.5	30	0.50
38	132204	Hexagon head screw 8.8 zinc plated M8x20 UNI 5739	30	0.50
39	322180	Side safety guard for REV	5	5.00
40	393092	Stator 110x66 H50 (two-phase) 4 poles 230V 50hz for rev-stop v2, machined (Copper base 0.68 Kg)	1	120.00
41.1	130801	Compensating ring AC 40	15	1.00
41.2	130923	Shim ring 28x40x0.2	30	0.50
42	311130	Upper motor hood for REV-Stop	1	25.00
43	330910	Zinc plated tie rod M5 L=65 thread L=15mm	15	1.00
44	131507	Zinc plated flat washer Ø5 UNI 6592	30	0.50
45.1	381910	Fan covering support for REV	2	8.00
45.2	381911	Electric brake fan covering support for REV	2	10.00
46	380690	Plate for terminal strip support and earthing for REV	2	8.00
47.1	480120	Encoder support metal sheet unit for Livi 6RR-9RR-905RR	1	30.00

47.2	480127	Encoder support metal sheet unit for REV with brake	1	40.00
48	131202	Zinc plated standard self-locking nut M5 UNI 7473	30	0.50
49.1	162026	Capacitor Aluminium 14 μ F \varnothing 35x78 faston 6.3mm and bolt connection M8	1	15.00
49.2	162024	Capacitor Aluminium P2 12.5 μ F \varnothing 35x60 faston 6.3mm and bolt connection M8	1	15.00
50	131101	Zinc plated thin nut M8 UNI 5589	30	0.50
51	162008	Plastic cap for capacitors \varnothing =35x40	10	1.50
52	380680	Grounding connection plate (zinc plated)	30	0.50
53	131710	Zinc plated toothed washer M4	30	0.50
54	134507	Trilobular cap screw zinc chromate plated M4x12 UNI 8112	30	0.50
55	184020	Terminal strip (Nylon, white, 110°, 2 poles)	10	1.50
56	134506	Trilobular cap screw zinc chromate plated M3x15 UNI 8112	30	0.50
70	134301	Stainless steel self tapping cap screw chromate plated \varnothing 3.9x9.5 UNI 6954	30	0.50
71	350620	Plate for electric brake (zinc plated) for REV	1	55.00
72	134504	Trilobular cap screw zinc chromate plated M5x15 UNI 8112	30	0.50
73	163014	Brake unit P0 A Type 24VDC \varnothing hole 9.5mm	1	235.00
74	130222	Key 3x3x10 UNI 6604 A	15	1.00
75	134513	Trilobular cap screw zinc chromate plated M3x8 UNI 8112	30	0.50
76	320472	Encoder cover (plastic, ABS, black, PERFORATED)	2	8.00
77	341150	Bush for magnet for REV	1	15.00
78	340760	Magnet 2S \varnothing e=31.5 \varnothing i=16 th.=8 no. 6 poles	5	3.00
79	130500	External Seeger retaining ring \varnothing 9 UNI 7435-9	30	0.50
80.1	161012	Fan FB 63 with ring D12	5	3.00
80.2	161016	Fan FB 56 with ring \varnothing 9mm	5	3.00
81	161015	Fan cover FC 63	5	4.00
82	321220	ABS self-extinguishing electric box base for Livi 400 (series2)	5	5.00
83	184012	PVC cable grommet DGC-PVC 11 black	5	3.00
84	321230	ABS self-extinguishing electric box cover for Livi 400 (series2)	2	10.00
85	328170	Motor guard for REV with limit switch (with screen-printed DEA brand)	1	25.00
86	134310	Stainless steel self tapping cap screw chromate plated \varnothing 4.8x22 UNI 6954	30	0.50
87	184053	Special cable grommet	10	2.00
88	322190	Bolt covering guard for REV 2 pcs	10	2.00
89	396440	Black cable 3x0.5 L=500mm+faston	2	8.00
90	396590	Bipolar cable 2x1 l=390mm	5	6.00
91	381890	Foundation plate (zinc plated) for REV	1	35.00
94	380512	Right limit switch cam for Gulliver (zinc plated) V2	2	10.00
95	380502	Left limit switch cam for Gulliver (zinc plated) V2	2	10.00
109	381950	Magnetic sensor bracket for REV	5	6.00
110	166003	Double contact cylindrical magnetic sensor cable L=1mt	1	55.00
111	328171	Motor guard for REV without limit switch (with screen-printed DEA brand)	1	25.00

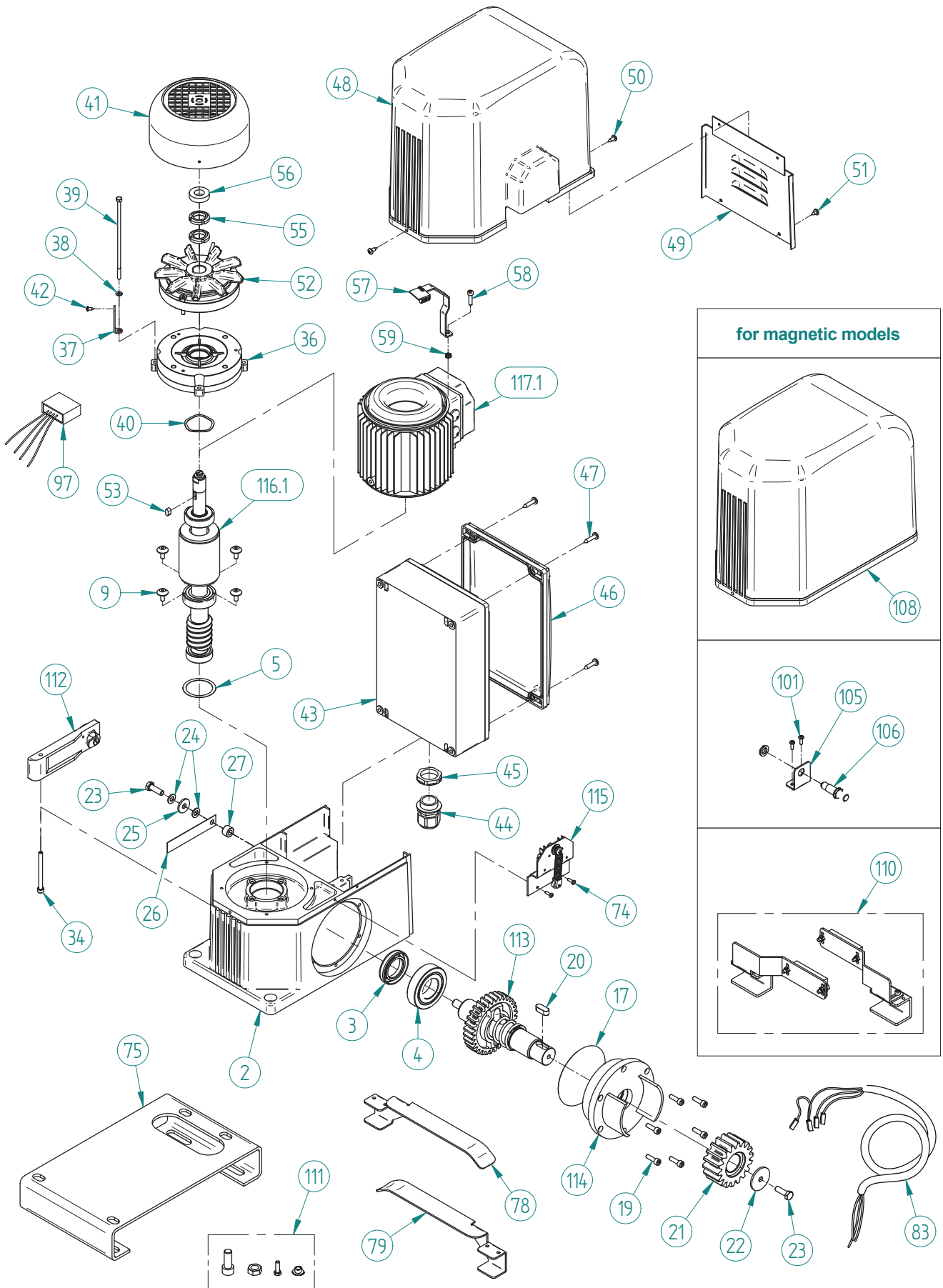
REV 24V

Pos.	Code	Description	Minimum Qty	Unit price in Euro
92	430380	Accessories small bag for REV-460	1	30.00
121	430072	Accessories small bag - magnetic sliding cams	1	60.00
124	445300	Flange unit for REV	1	40.00
122	445310	Unlocking lever unit for REV	1	45.00
123.1	460680	Internal unlocking device unit for REV	1	110.00
125	480271	Limit switch plate unit for Livi 400-800(series2)	1	30.00
127	470650	Electric motor with worm unit for REV 24 V2	1	240.00
129	913241X	Mechanical limit switch cam unit for REV - Gulliver	1	30.00
130	914010B	Mechanical limit switch unit for Livi-Livi/N-REV	1	40.00
2	311090	Gearmotor casing (varnished) for REV	1	105.00
3	157018	Sealing ring SC 30x56x10	5	6.00
4	121021	Bearing 6206 ZZ (Slow) d=30 D=62 h=16	1	15.00
5	322260	Base-flange gasket for REV	5	4.00
7	131502	Zinc plated flat washer Ø6 UNI 6592	30	0.50
8	134601	Trilobular hexagon socket head cap screw zinc plated M6x20	30	0.50
13	131401	Zinc plated Fender washer Ø6.5x18x1.5	30	0.50
22	156066	NBR O-ring 70 SH 110x1.5	10	2.00
24	132005	Hexagon socket head cap screw 8.8 zinc plated M6x20 UNI 5931	30	0.50
25	350430	Unlocking device blade 10x60 th.=0.5	15	1.00
26	134503	Trilobular cap screw zinc chromate plated M5x12 UNI 8112	30	0.50
33	132088	Hexagon socket head cap screw 8.8 zinc plated M6x70 partially threaded UNI 5931	15	1.00
34	131204	Zinc plated standard self-locking nut M6 UNI 7473	30	0.50
35	130221	Key 8x7x20 UNI 6604 A	10	1.50
36.1	360670	Driving pinion Z18 for REV	1	30.00
36.2	360671	Driving pinion Z15 for REV	1	25.00
36.3	360675	Driving pinion Z22 for REV	1	60.00
37	131403	Zinc plated Fender washer Ø8x32x2.5	30	0.50
38	132204	Hexagon head screw 8.8 zinc plated M8x20 UNI 5739	30	0.50
39	322180	Side safety guard for REV	5	5.00
48	131202	Zinc plated standard self-locking nut M5 UNI 7473	30	0.50
56	134506	Trilobular cap screw zinc chromate plated M3x15 UNI 8112	30	0.50
100	381900	Batteries and transformer support for REV	1	40.00
101	162103	Toroidal transformer 250VA 230V/22V (no-load) + thermal switch	1	100.00
102	163525	Nylon disc NY6 G30 for transformers ØE= 60, Øi=37, Ø cone= 21, hole Ø=7	10	2.00
103	132612	Hexagon socket countersunk flat head screw zinc plated M5x60 UNI 5933	10	1.50
104	131406	Zinc plated Fender washer Ø5x20x1.5	30	0.50
105	184036	Fuse holder terminal strip (3 poles)	2	8.00
106	168000	Delayed fuse 5x20 2A	5	3.00
53	131710	Zinc plated toothed washer M4	30	0.50
54	134507	Trilobular cap screw zinc chromate plated M4x12 UNI 8112	30	0.50
70	134301	Stainless steel self tapping cap screw chromate plated Ø3.9x9.5 UNI 6954	30	0.50
75	134513	Trilobular cap screw zinc chromate plated M3x8 UNI 8112	30	0.50
82	321220	ABS self-extinguishing electric box base for Livi 400 (series2)	5	5.00
83	184012	PVC cable grommet DGC-PVC 11 black	5	3.00
84	321230	ABS self-extinguishing electric box cover for Livi 400 (series2)	2	10.00
85	328170	Motor guard for REV with limit switch (with screen-printed DEA brand)	1	25.00

86	134310	Stainless steel self tapping cap screw chromate plated Ø4.8x22 UNI 6954	30	0.50
87	184053	Special cable grommet	10	2.00
88	322190	Bolt covering guard for REV 2 pcs	10	2.00
89	396440	Black cable 3x0.5 L=500mm+faston	2	8.00
90	397180	Yellow-green cable, double, with wire end ferrule and eyelet for REV/24	5	5.00
91	381890	Foundation plate (zinc plated) for REV	1	35.00
94	380512	Right limit switch cam for Gulliver (zinc plated) V2	2	10.00
95	380502	Left limit switch cam for Gulliver (zinc plated) V2	2	10.00
107	134702	Trilobular flat countersunk head screw zinc chromate plated M6x12 UNI 8113	30	0.50
109	381950	Magnetic sensor bracket for REV	5	6.00
110	166003	Double contact cylindrical magnetic sensor cable L=1mt	1	55.00
111	328171	Motor guard for REV without limit switch (with screen-printed DEA brand)	1	25.00

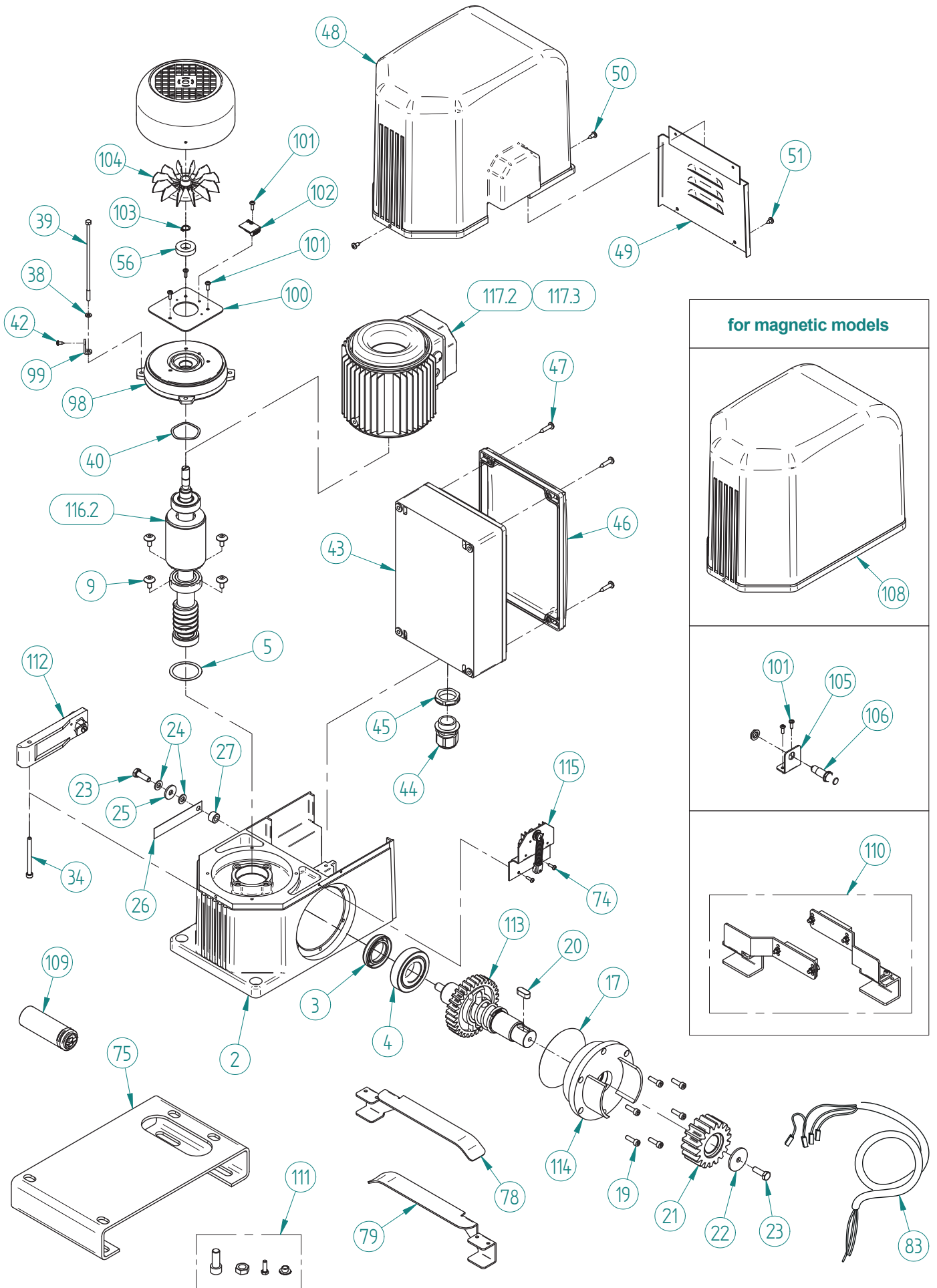
GULLIVER

380V



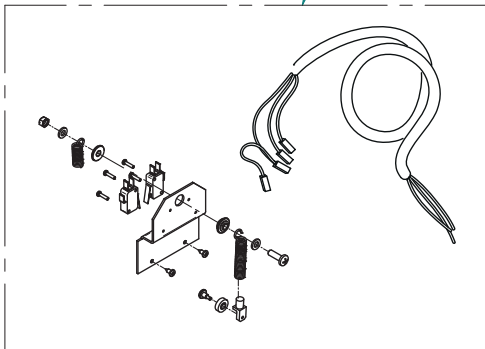
230V

GULLIVER

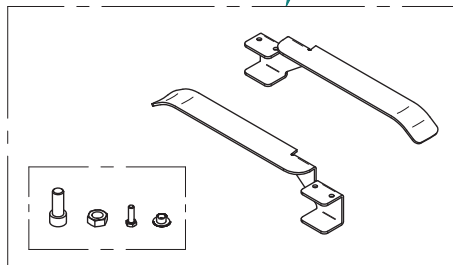


GULLIVER Rev. 00

118



119



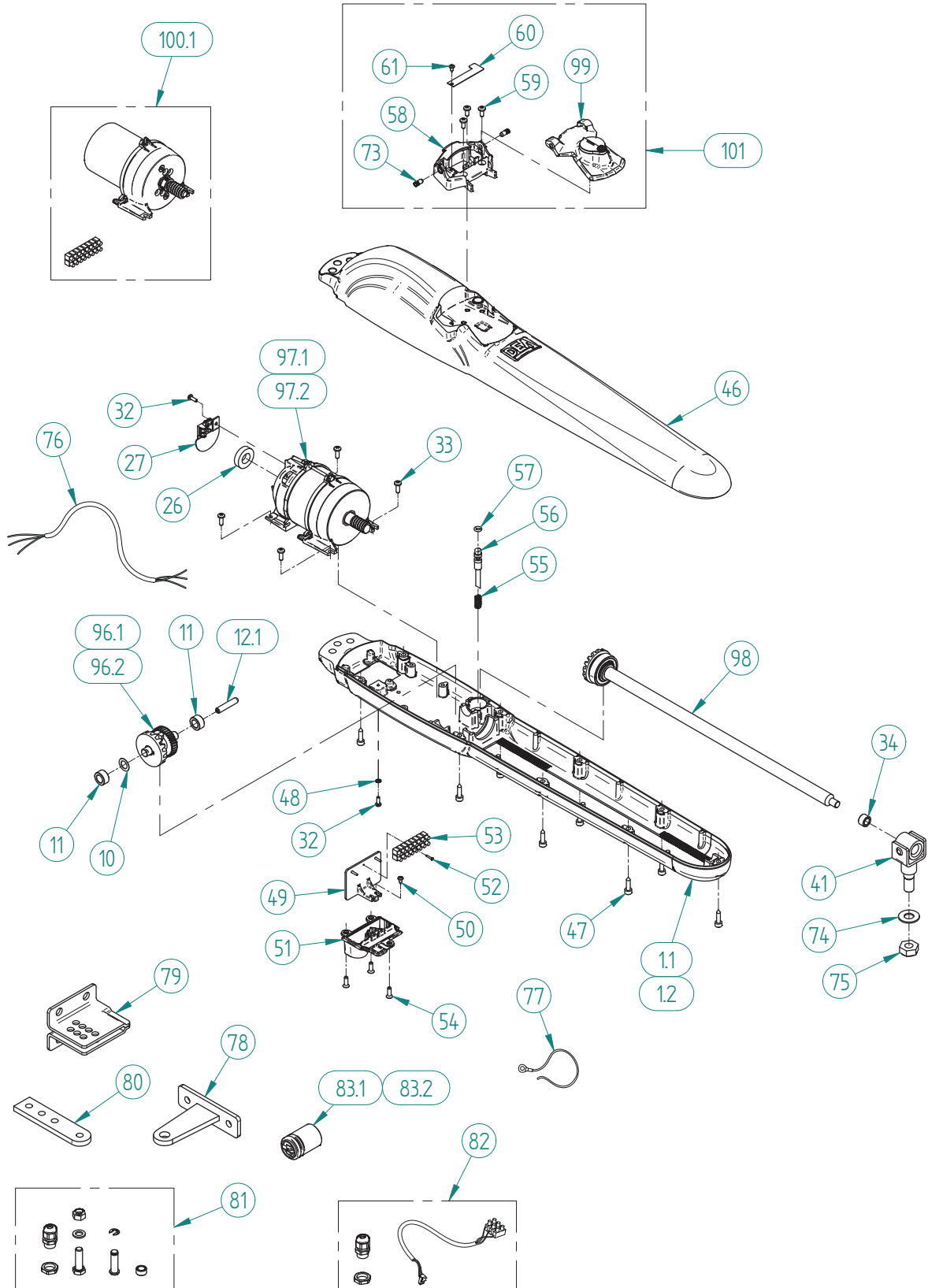
GULLIVER

Pos.	Code	Description	Minimum Qty	Unit price in Euro
111	430062	Accessories small bag for Gulliver	2	10.00
110	430072	Accessories small bag - magnetic sliding cams	1	60.00
112	445140	Unlocking lever for Gulliver+lock unit	1	50.00
113	460150	Int. unlocking device unit with bronze gear M=3 Z=32 Øe=102 for Gulliver	1	200.00
115	480272	Limit switch plate unit for Gulliver	1	35.00
117.1	470151	Stator unit 125x65 H80 three-phase 380V with MEC80 casing, wired SF	1	180.00
117.2	470131	Stator unit 125x65 H80 three-phase 220V with MEC80 casing, wired SF	1	210.00
117.3	470154	Motor unit 22RRT/F	1	215.00
116.1	450124	Motor shaft unit with bearings for Gulliver 25RRT/F	1	160.00
116.2	450125	Motor shaft unit with bearings for Gulliver 18NET-25RRT	1	140.00
118	913250J	Mechanical limit switch unit for Gulliver	1	45.00
119	913241X	Mechanical limit switch cam unit for REV - Gulliver	1	30.00
2	310250	Gearmotor casing for Gulliver (machined and varnished Grey Mica)	1	180.00
3	157005	Sealing ring SC 35x56x10	5	5.00
4	121015	Bearing 6207 ZZ (Slow) d=35 D=72 h=17	1	15.00
5	130925	Shim ring 42x52x0.2	15	1.00
9	330330	Screw for fastening bearings M6x20 Ø18 L=20 (zinc plated)	5	5.00
17	156016	NBR O-ring 70 100x2	15	1.00
19	132005	Hexagon socket head cap screw 8.8 zinc plated M6x20 UNI 5931	30	0.50
20	130206	Key 10x8x25 UNI 6604 A	10	2.00
21	360410	Driving pinion M=4 Z=18 Øe=80 (zinc plated) for Gulliver	1	35.00
22	131404	Zinc plated Fender washer Ø8.5x40x4	10	1.50
23	132205	Hexagon head screw 8.8 zinc plated M8x25 UNI 5739	30	0.50
24	131503	Zinc plated flat washer Ø8 UNI 6592	30	0.50
25	131402	Zinc plated Fender washer Ø8.5x24x2	30	0.50
26	350340	Unlocking device blade 20x108 th.0.5	5	4.00
27	340850	Unlocking device spacer Øe=16 Øi=8.5 L=10.5 (zinc plated) for Gulliver	5	3.00
34	132088	Hexagon socket head cap screw 8.8 zinc plated M6x70 partially threaded UNI 5931	15	1.00
36	310453	Rear hood mec 80 machined (npf)	1	80.00
37	381910	Fan covering support for REV	2	8.00
38	131507	Zinc plated flat washer Ø5 UNI 6592	30	0.50
39	330320	Zinc plated tie rod M5 L=151 thread L=20mm	15	1.00
40	130802	Compensating ring AC 47	15	1.00
41	161001	Fan cover FCN 80	5	6.00
42	134301	Stainless steel self tapping cap screw chromate plated Ø3.9x9.5 UNI 6954	30	0.50
43	320102	ABS self-extinguishing panel support box (V0 grey, 1 hole)	1	25.00
44	184009	Polyamide cable gland PG 21 RAL7035	5	5.00
45	184010	Polyamide cable gland nut PG 21 RAL7035	10	1.50
46	320110	ABS self-extinguishing lower cover with DEA brand (V0 grey)	1	15.00
47	134216	Self tapping cap screw zinc chromate plated Ø5.5x25 UNI 6954	30	0.50
48	328105	Motor guard for Gulliver with limit switch and DEA brand	1	25.00
49	380520	Rear closing 198x167x10 (varnished)	1	20.00
50	134304	Stainless steel self tapping cap screw chromate plated Ø4.8x9.5 UNI 6954	30	0.50
51	134305	Stainless steel self tapping cap screw chromate plated Ø4.8x13 UNI 6954	30	0.50
52	163008	Electric brake S 80 V180 DC	1	225.00
53	130203	Key 6x6x12 UNI 6604 A	10	1.50

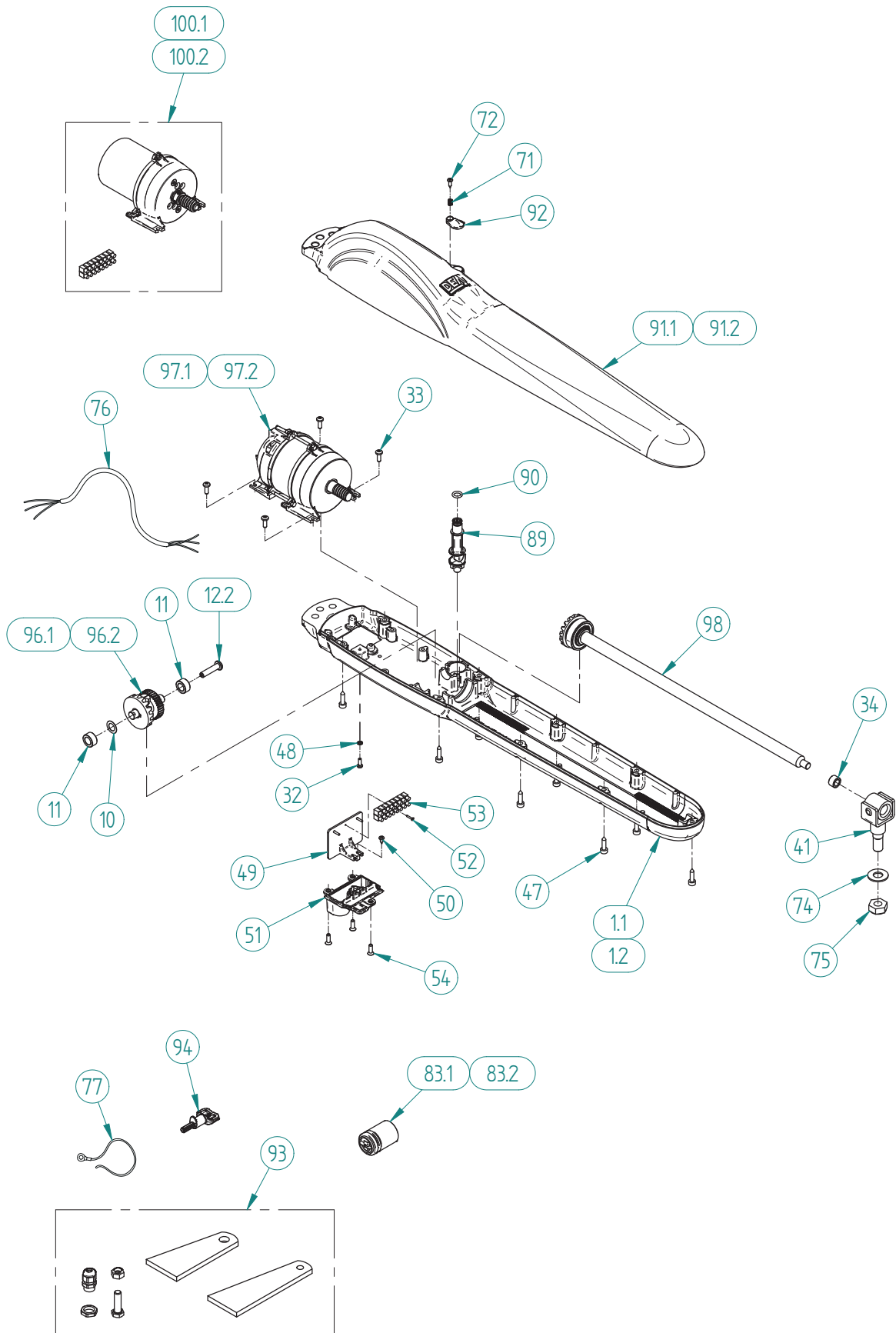
55	131707	Threaded locking nut KM M20x1	5	5.00
56	340760	Magnet 2S $\varnothing_e=31.5$ $\varnothing_i=16$ th.=8 no. 6 poles	5	3.00
57	480124	Encoder support metal sheet unit for Gulliver/F	1	60.00
58	132001	Hexagon socket head cap screw 8.8 zinc plated M5x20 UNI 5931	30	0.50
59	131256	Zinc plated thin self-locking nut M5 UNI 7474	30	0.50
74	134505	Trilobular cap screw Dacromet coating chromate passivation M3.5x12 UNI 8112	30	0.50
75	380490	Foundation base for Gulliver (zinc plated)	1	60.00
78	380512	Right limit switch cam for Gulliver (zinc plated) V2	2	10.00
79	380502	Left limit switch cam for Gulliver (zinc plated) V2	2	10.00
83	396260	Black cable 3x0.5 L=970mm+faston	2	8.00
97	163009	Power supply unit AP4	1	75.00
98	310452	Motor hood MEC 80-4T47- 5.5 -LA machined for 18RR	1	20.00
99	380480	Bracket for hood 25/10 with 45° inclination	10	1.50
100	381150	Encoder element support plate	2	10.00
101	134507	Trilobular cap screw zinc chromate plated M4x12 UNI 8112	30	0.50
102	480122	Encoder support metal sheet unit for Gulliver-Stop-Pass	1	40.00
103	130502	External Seeger retaining ring $\varnothing 12$ UNI 7435-12	30	0.50
104	161012	Fan FB 63 with ring D12	5	3.00
105	381990	Magnetic sensor bracket for GULLIVER	1	15.00
106	166003	Double contact cylindrical magnetic sensor cable L=1mt	1	55.00
108	328101	Motor guard for Gulliver 24V (with DEA brand)	1	25.00
109	162033	Capacitor Aluminium P2 30 μ F $\varnothing 40$ x128 with wires L=200mm	1	25.00

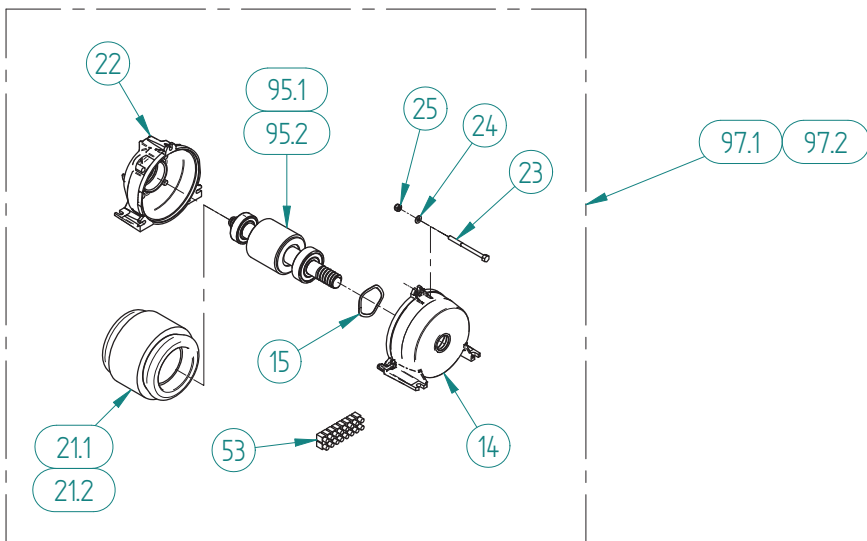
STING - MAC

24V - 230V



24V - 230V





STING

Pos.	Code	Description	Minimum Qty	Unit price in Euro
96.1	460370	Internal unlocking device unit for Look-MAC	1	60.00
96.2	460371	Internal unlocking device unit for Look-MAC Reversible	1	100.00
101	925020C	Complete unlocking handle unit for STING	1	45.00
230V motor unit 50Hz 4p for Look-MAC with encoder				
97.1	470432	230V motor unit 50Hz 4p for Look-MAC with encoder	1	130.00
95.1	450192	Motor shaft unit for Look-Mac 230V	1	60.00
14	310750	Front motor hood 230V for Look	1	15.00
15	130801	Compensating ring AC 40	15	1.00
21.1	393013	Stator 90x50 H45 (two-phase) 4 poles 220V 50Hz (Copper base 0.34Kg)	1	80.00
22	310760	Rear motor hood for Look	1	15.00
23	331590	Motor tie rod M4 L=56 thread l=20 (zinc plated)	30	0.50
24	131501	Zinc plated flat washer Ø4 UNI 6592	30	0.50
25	131255	Zinc plated thin self-locking nut M4 UNI 7474	30	0.50
53	184086	Terminal strip (Nylon, white, 110°, 8 poles, Øwire 2.5mm)	5	4.00
97.2	470431	230V motor unit 50Hz 6p for Look-MAC	1	145.00
95.2	450191	Motor shaft unit for Look 230V reversible	1	60.00
14	310750	Front motor hood 230V for Look	1	15.00
15	130801	Compensating ring AC 40	15	1.00
21.2	393014	Stator 90x50 H45 (two-phase) 6 poles 220V 50Hz for Wing-Look (Copper base 0.31 Kg)	1	95.00
22	310760	Rear motor hood for Look	1	15.00
23	331590	Motor tie rod M4 L=56 thread l=20 (zinc plated)	30	0.50
24	131501	Zinc plated flat washer Ø4 UNI 6592	30	0.50
25	131255	Zinc plated thin self-locking nut M4 UNI 7474	30	0.50
53	184086	Terminal strip (Nylon, white, 110°, 8 poles, Øwire 2.5mm)	5	4.00
98	460010	Worm+bevel gear+bearing unit	1	70.00
99	440180	Unlocking handle unit for STING	1	30.00
100.1	470440	24V motor unit for Look - MAC	1	155.00
Lower shell for MAC-STING (varnished Ral 9006 Mica)				
1.1	310980	Lower shell for MAC-STING (varnished Ral 9006 Mica)	1	60.00
10	130905	Shim ring 12.2x19.8x0.5	30	0.50
11	340820	Bronze bushing Øe=20 Øi=12 L=10 for Look-MAC	5	4.00
12.1	332540	Unlocking pin Ø=8 L=42.5 for STING	2	8.00
26	340760	Magnet 2S Øe=31.5 Øi=16 th.=8 no. 6 poles	5	3.00
27	480125	Encoder support metal sheet unit for Look-Mac	1	30.00
32	134507	Trilobular cap screw zinc chromate plated M4x12 UNI 8112	30	0.50
33	134504	Trilobular cap screw zinc chromate plated M5x15 UNI 8112	30	0.50
34	340010	Bronze bushing Øe=16 Øi=10 L=10	5	4.00
41	372000	Zinc plated mechanical nut support	1	45.00
46	310971	Upper shell for STING (varnished Ral 9006 Mica)	1	75.00
47	134103	Self tapping hexagon socket head cap screw zinc plated Ø5.5x22	30	0.50
48	131710	Zinc plated toothed washer M4	30	0.50
49	322380	CE counterplate for Look terminal strip	5	3.00
50	134212	Self tapping cap screw zinc chromate plated Ø3.9x9.5 UNI 6954	30	0.50
51	321440	Terminal strip door for Look-Mac	2	8.00
52	134202	Self tapping cap screw zinc chromate plated Ø2.2x13 UNI 6954	30	0.50
54	134701	Trilobular flat countersunk head screw zinc chromate plated M5x16 UNI 8113	30	0.50
55	370281	Spring Øe=9.1 L=18 Øwire=1.3 turns=8 milled	5	3.00

56	332530	Unlocking pin (stainless steel) for STING	1	20.00
57	156009	NBR O-ring 70 6.02x2.62 TP 3024	15	1.00
58	328210	Handle base for STING	5	5.00
59	134503	Trilobular cap screw zinc chromate plated M5x12 UNI 8112	30	0.50
60	350750	Unlocking device blade 19.8x62.5 th.=0.5	10	1.50
61	134301	Stainless steel self tapping cap screw chromate plated \varnothing 3.9x9.5 UNI 6954	30	0.50
73	330000	Unlocking lever pin (knurled, \varnothing =6 L=14, stainless steel)	10	1.50
74	131711	Superelastic Belleville washers \varnothing 14 Geomet	5	3.00
75	131203	Zinc plated thick self-locking nut M14x1.5 UNI 7473	10	1.50
76	396900	Encoder connection cable L=200mm for Look	5	5.00
77	397130	Yellow-green cable 1x1.5 L=150 with 1 eyelet \varnothing 4 for MAC/LOOK/STING	10	2.00
78	382480	Front fastening plate for Look-Mac-Sting	1	25.00
79	382490	Spot-welded plate screwed to pistons for Look-Mac-Sting	1	15.00
80	382510	Rear bracket for short pistons for Look-Mac-Sting	2	10.00
81	430002	Accessories small bag - MLS/SFR brackets screws	1	25.00
82	430740	Accessories small bag - encoder cable	1	25.00
83.1	162021	Capacitor Aluminium P2 8 μ F \varnothing 35x69 with wires L=200	1	15.00
83.2	162023	Capacitor Aluminium P2 10 μ F \varnothing 35x75 with wires L=200mm	1	20.00

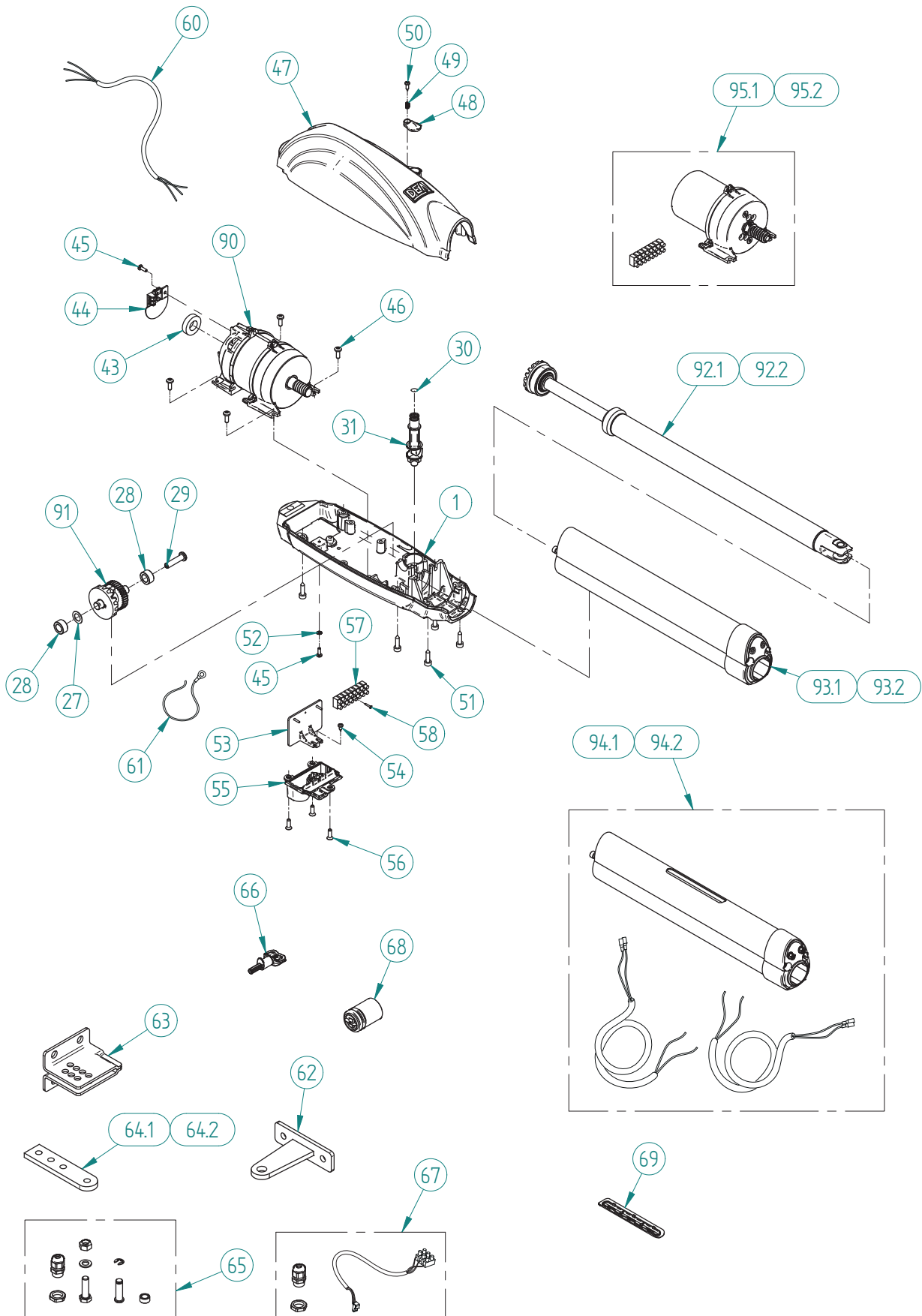
MAC

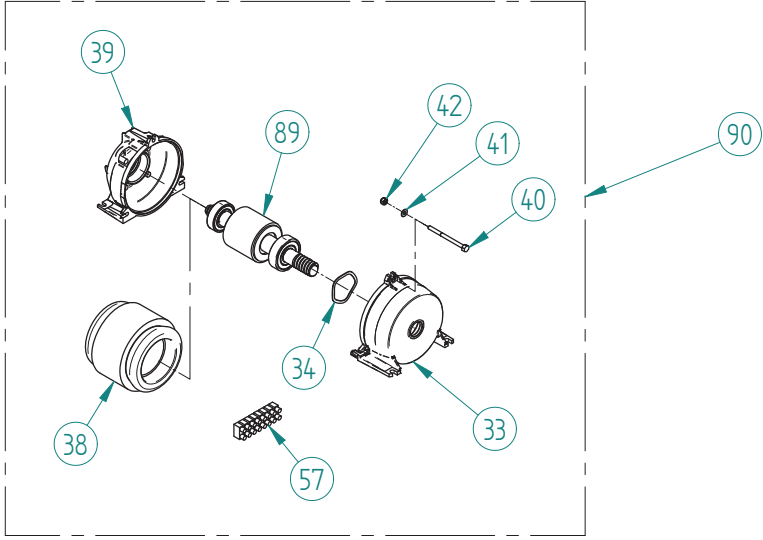
Pos.	Code	Description	Minimum Qty	Unit price in Euro
96.1	460370	Internal unlocking device unit for Look-MAC	1	60.00
96.2	460371	Internal unlocking device unit for Look-MAC Reversible	1	100.00
97.1	470432	230V motor unit 50Hz 4p for Look-MAC with encoder	1	130.00
95.1	450192	Motor shaft unit for Look-Mac 230V	1	60.00
14	310750	Front motor hood 230V for Look	1	15.00
15	130801	Compensating ring AC 40	15	1.00
21.1	393013	Stator 90x50 H45 (two-phase) 4 poles 220V 50Hz (Copper base 0.34Kg)	1	80.00
22	310760	Rear motor hood for Look	1	15.00
23	331590	Motor tie rod M4 L=56 thread l=20 (zinc plated)	30	0.50
24	131501	Zinc plated flat washer Ø4 UNI 6592	30	0.50
25	131255	Zinc plated thin self-locking nut M4 UNI 7474	30	0.50
53	184086	Terminal strip (Nylon, white, 110°, 8 poles, Øwire 2.5mm)	5	4.00
97.2	470431	230V motor unit 50Hz 6p for Look-MAC	1	145.00
95.2	450191	Motor shaft unit for Look 230V reversible	1	60.00
14	310750	Front motor hood 230V for Look	1	15.00
15	130801	Compensating ring AC 40	15	1.00
21.2	393014	Stator 90x50 H45 (two-phase) 6 poles 220V 50Hz for Wing-Look (Copper base 0.31 Kg)	1	95.00
22	310760	Rear motor hood for Look	1	15.00
23	331590	Motor tie rod M4 L=56 thread l=20 (zinc plated)	30	0.50
24	131501	Zinc plated flat washer Ø4 UNI 6592	30	0.50
25	131255	Zinc plated thin self-locking nut M4 UNI 7474	30	0.50
53	184086	Terminal strip (Nylon, white, 110°, 8 poles, Øwire 2.5mm)	5	4.00
98	460010	Worm+bevel gear+bearing unit	1	70.00
100.2	470442	24V motor unit for Look - MAC Ø59mm	1	100.00
100.1	470440	24V motor unit for Look - MAC	1	155.00
1.1	310980	Lower shell for MAC-STING (varnished Ral 9006 Mica)	1	60.00
1.2	310981	Lower shell for MAC (varnished BLACK)	1	60.00
10	130905	Shim ring 12.2x19.8x0.5	30	0.50
11	340820	Bronze bushing Øe=20 Øi=12 L=10 for Look-MAC	5	4.00
12.2	331580	Unlocking pin (stainless steel) Ø=14 L=38.7 for Look-MAC	2	10.00
32	134507	Trilobular cap screw zinc chromate plated M4x12 UNI 8112	30	0.50
33	134504	Trilobular cap screw zinc chromate plated M5x15 UNI 8112	30	0.50
34	340010	Bronze bushing Øe=16 Øi=10 L=10	5	4.00
41	372000	Zinc plated mechanical nut support	1	45.00
47	134103	Self tapping hexagon socket head cap screw zinc plated Ø5.5x22	30	0.50
48	131710	Zinc plated toothed washer M4	30	0.50
49	322380	CE counterplate for Look terminal strip	5	3.00
50	134212	Self tapping cap screw zinc chromate plated Ø3.9x9.5 UNI 6954	30	0.50
51	321440	Terminal strip door for Look-Mac	2	8.00
52	134202	Self tapping cap screw zinc chromate plated Ø2.2x13 UNI 6954	30	0.50
54	134701	Trilobular flat countersunk head screw zinc chromate plated M5x16 UNI 8113	30	0.50
71	370010	Spring Øe=5.2 L=8.5 Øwire=0.5 turns=4 milled	30	0.50
72	134302	Stainless steel self tapping cap screw chromate plated Ø3.9x13 UNI 6954	30	0.50
74	131711	Superelastic Belleville washers Ø14 Geomet	5	3.00
75	131203	Zinc plated thick self-locking nut M14x1.5 UNI 7473	10	1.50
76	396900	Encoder connection cable L=200mm for Look	5	5.00

77	397130	Yellow-green cable 1x1.5 L=150 with 1 eyelet Ø4 for MAC/LOOK/STING	10	2.00
83.1	162021	Capacitor Aluminium P2 8µF Ø35x69 with wires L=200	1	15.00
83.2	162023	Capacitor Aluminium P2 10µF Ø35x75 with wires L=200mm	1	20.00
89	321381	Unlocking device body for Look-MAC Ø=24 L=91 (series2)	5	4.00
90	156004	NBR O-ring 70 9.92x2.62 TP 112	30	0.50
91.1	310970	Upper shell for MAC (varnished Ral 9006 Mica)	1	70.00
91.2	310972	Upper shell for MAC (varnished BLACK)	1	75.00
92	321420	Unlocking device protection cover 28.6x20 for Look	30	0.50
93	430001	Accessories small bag - MAC base brackets	1	25.00
94	321432	Unlocking handle for Look (PA6+30% g.f.) (series3)	10	2.00

LOOK

24V - 230V





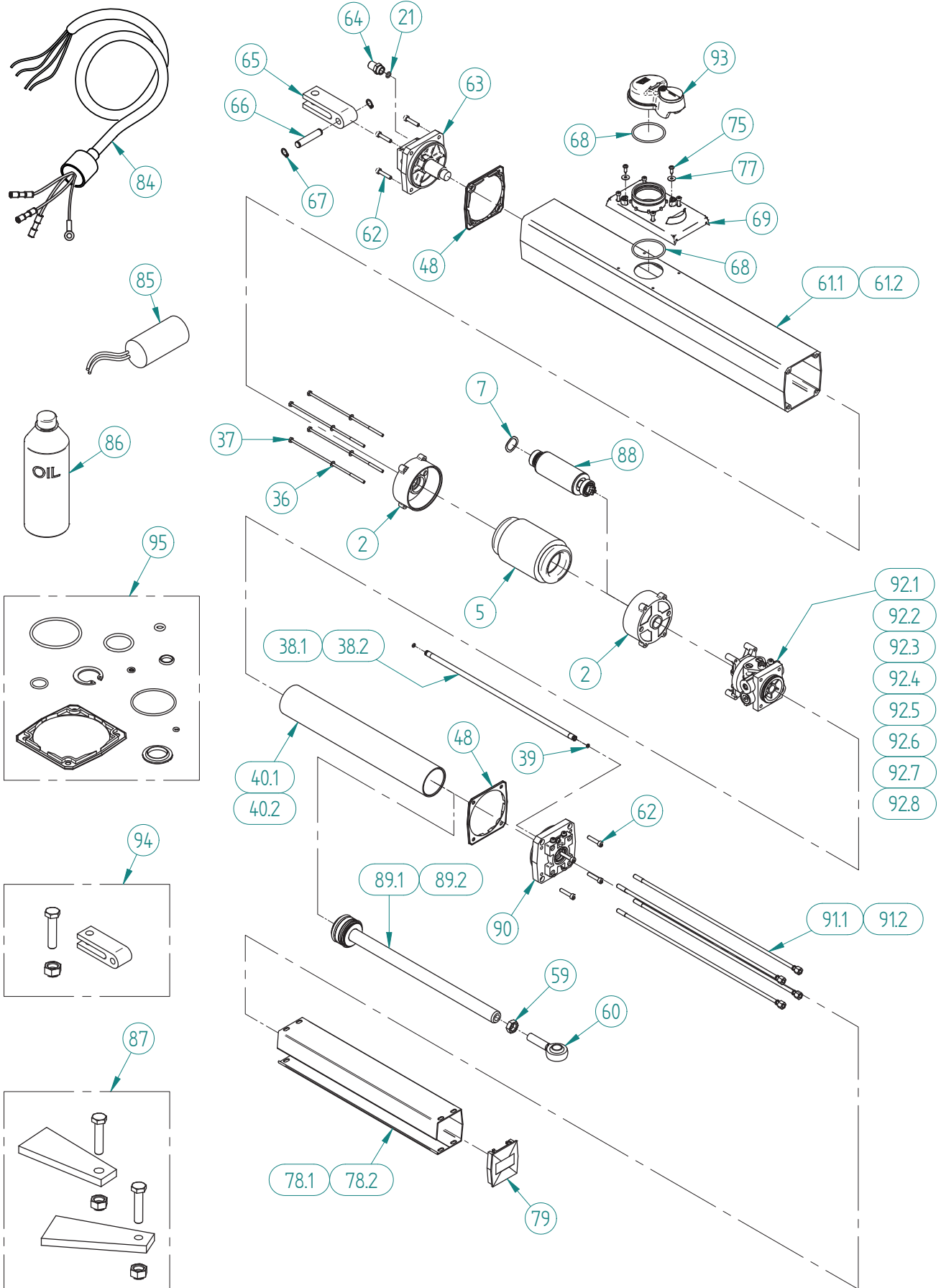
LOOK

Pos.	Code	Description	Minimum Qty	Unit price in Euro
92.1	460353	Rod-operating screw unit, stroke 320mm, for Look STAINLESS STEEL	1	115.00
92.2	460352	Rod-operating screw unit, stroke 520mm, for Look STAINLESS STEEL	1	120.00
93.1	460360	Extrusion-scraper unit for Look, stroke 320mm, without limit switch	1	50.00
93.2	460361	Extrusion-scraper unit for Look, stroke 520mm, without limit switch	1	55.00
94.1	480670	Extrusion-scraper unit for Look, stroke 320mm with limit switch	1	100.00
94.2	480671	Extrusion-scraper unit for Look, stroke 520mm with limit switch	1	115.00
91	460370	Internal unlocking device unit for Look-MAC	1	60.00
90	470432	230V motor unit 50Hz 4p for Look-MAC with encoder	1	130.00
89	450192	Motor shaft unit for Look-Mac 230V	1	60.00
33	310750	Front motor hood 230V for Look	1	15.00
34	130801	Compensating ring AC 40	15	1.00
38	393013	Stator 90x50 H45 (two-phase) 4 poles 220V 50Hz (Copper base 0.34Kg)	1	80.00
39	310760	Rear motor hood for Look	1	15.00
40	331590	Motor tie rod M4 L=56 thread l=20 (zinc plated)	30	0.50
41	131501	Zinc plated flat washer Ø4 UNI 6592	30	0.50
42	131255	Zinc plated thin self-locking nut M4 UNI 7474	30	0.50
57	184086	Terminal strip (Nylon, white, 110°, 8 poles, Øwire 2.5mm)	5	4.00
95.1	470440	24V motor unit for Look - MAC	1	155.00
95.2	470442	24V motor unit for Look - MAC Ø59mm	1	100.00
1	310740	Lower half-shell for Look (varnished Ral 9006 Mica)	1	45.00
27	130905	Shim ring 12.2x19.8x0.5	30	0.50
28	340820	Bronze bushing Øe=20 Øi=12 L=10 for Look-MAC	5	4.00
29	331580	Unlocking pin (stainless steel) Ø=14 L=38.7 for Look-MAC	2	10.00
30	156004	NBR O-ring 70 9.92x2.62 TP 112	30	0.50
31	321381	Unlocking device body for Look-MAC Ø=24 L=91 (series2)	5	4.00
43	340760	Magnet 2S Øe=31.5 Øi=16 th.=8 no. 6 poles	5	3.00
44	480125	Encoder support metal sheet unit for Look-Mac	1	30.00
45	134507	Trilobular cap screw zinc chromate plated M4x12 UNI 8112	30	0.50
46	134504	Trilobular cap screw zinc chromate plated M5x15 UNI 8112	30	0.50
47	310730	Upper half-shell for Look (varnished Ral 9006 Mica)	1	60.00
48	321420	Unlocking device protection cover 28.6x20 for Look	30	0.50
49	370010	Spring Øe=5.2 L=8.5 Øwire=0.5 turns=4 milled	30	0.50
50	134302	Stainless steel self tapping cap screw chromate plated Ø3.9x13 UNI 6954	30	0.50
51	134103	Self tapping hexagon socket head cap screw zinc plated Ø5.5x22	30	0.50
52	131710	Zinc plated toothed washer M4	30	0.50
53	322380	CE counterplate for Look terminal strip	5	3.00
54	134212	Self tapping cap screw zinc chromate plated Ø3.9x9.5 UNI 6954	30	0.50
55	321440	Terminal strip door for Look-Mac	2	8.00
56	134701	Trilobular flat countersunk head screw zinc chromate plated M5x16 UNI 8113	30	0.50
58	134202	Self tapping cap screw zinc chromate plated Ø2.2x13 UNI 6954	30	0.50
60	396900	Encoder connection cable L=200mm for Look	5	5.00
61	397130	Yellow-green cable 1x1.5 L=150 with 1 eyelet Ø4 for MAC/LOOK/STING	10	2.00
62	382480	Front fastening plate for Look-Mac-Sting	1	25.00
63	382490	Spot-welded plate screwed to pistons for Look-Mac-Sting	1	15.00
64.1	382510	Rear bracket for short pistons for Look-Mac-Sting	2	10.00
64.2	382500	Rear bracket for long pistons for Look-Mac-Sting	1	15.00
65	430002	Accessories small bag - MLS/SFR brackets screws	1	25.00

66	321432	Unlocking handle for Look (PA6+30% g.f.) (series3)	10	2.00
67	430740	Accessories small bag - encoder cable	1	25.00
68	162021	Capacitor Aluminium P2 8 μ F \varnothing 35x69 with wires L=200	1	15.00
69	321840	Limit switch inspection cover for Look	10	1.50

OLI

230V



OLI

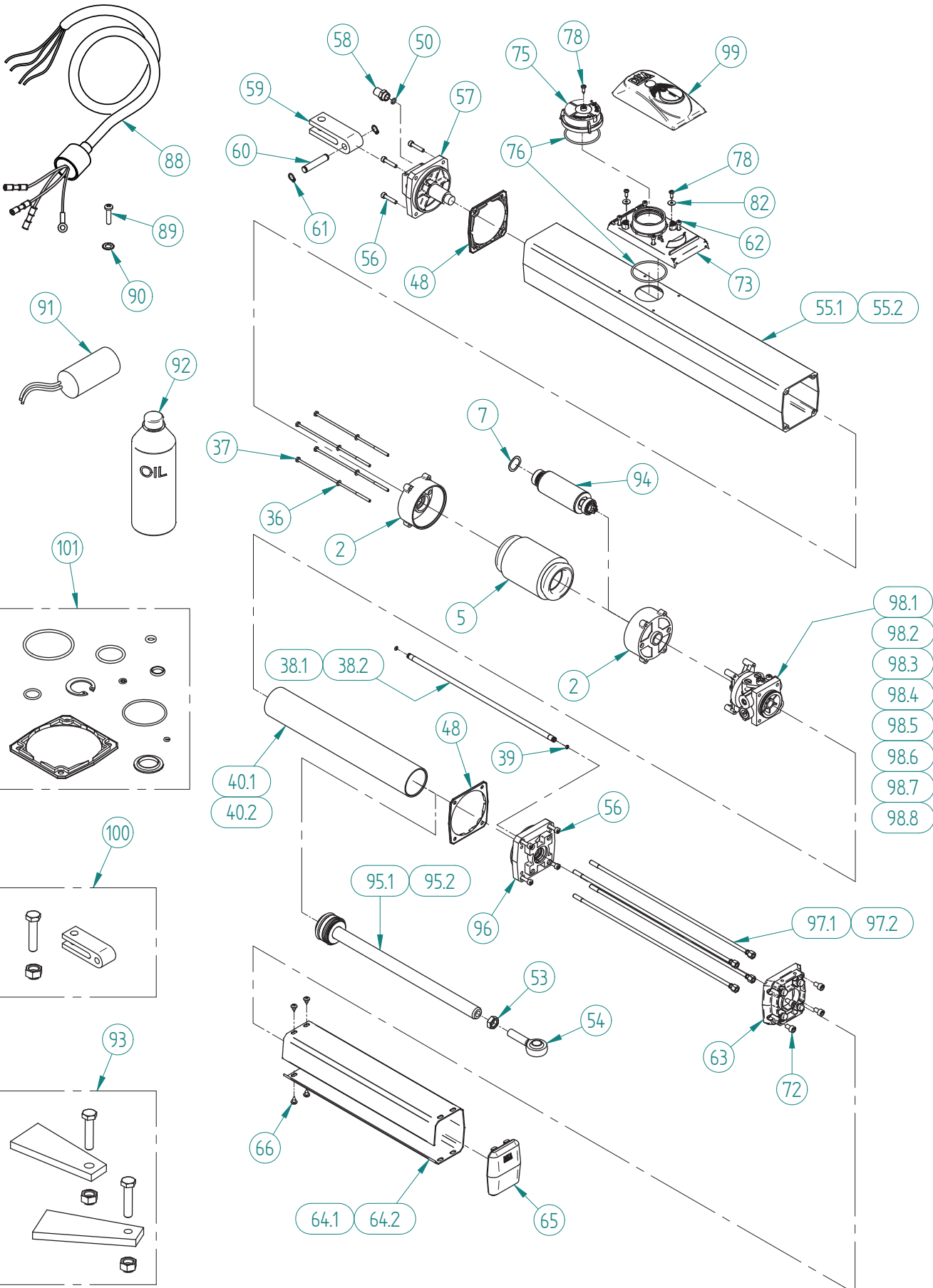
Pos.	Code	Description	Minimum Qty	Unit price in Euro
92.1	460050	Pump unit 602N	1	230.00
92.2	460051	Pump unit 603N, 605N	1	230.00
92.3	460052	Pump unit 604, 606	1	230.00
92.4	460053	Pump unit 602LN	1	230.00
92.5	460054	Pump unit 603L, 605L	1	230.00
92.6	460055	Pump unit 604LN, 606LN	1	230.00
92.7	460056	Pump unit 602A, 607A	1	230.00
92.8	460057	Pump unit 602LAN, 607LN	1	230.00
88	450020	Motor shaft unit	1	60.00
89.1	460040	Rod unit $\varnothing=20$ L=348 (stroke 270mm)	1	75.00
89.2	460041	Rod unit $\varnothing=20$ L=478 (stroke 400mm)	1	85.00
90	460022	Front support unit for OLI V2	1	100.00
93	440032	Unlocking device unit for Oli, with DEA brand and key (series2)	1	30.00
91.1	460092	Tie rod M6 L=365+stainless steel nut unit	5	6.00
91.2	460093	Tie rod M6 L=495+stainless steel nut unit	5	6.00
94	924130C	Rear fork for OLI + screw and nut unit	1	30.00
95	924110N	Gasket bag unit for OLI	1	60.00
2	310040	Motor hood for Oli (die-cast)	2	10.00
3	330180	Motor shaft $\varnothing=14$ L=130 with rotor 38x12 H80	1	55.00
5	393030	Stator 73x38 H80 (two-phase) 4 poles 220V 50Hz (Copper base 0.264 Kg)	1	95.00
7	130800	Compensating ring AC 26	30	0.50
21	156002	NBR O-ring 70 6.75x1.78 TP 106	30	0.50
36	131501	Zinc plated flat washer $\varnothing4$ UNI 6592	30	0.50
37	330350	Tie rod M4 L=160 with long thread 30mm	15	1.00
38.1	340150	Connection pipe $\varnothing=8x2$ L=328	1	20.00
38.2	340180	Connection pipe $\varnothing=8x2$ L=458	1	25.00
39	156000	NBR O-ring 70 2.90x1.78 TP 101	30	0.50
40.1	340190	Cylinder sleeve $\varnothing=45$ L=445	1	55.00
40.2	340140	Cylinder sleeve $\varnothing=45$ L=315	1	45.00
48	320190	Support gasket for Oli (Armitel EL 740 DSM)	5	4.00
59	131102	Zinc plated thin nut M12 UNI 5589	30	0.50
60	123000	Articulated head JM12 R	1	20.00
61.1	310120	Cylinder body (anodised aluminium silver) l=580mm	1	100.00
61.2	310110	Cylinder body (anodised aluminium silver) L=710mm	1	110.00
62	132152	Hexagon socket head cap screw 12.9 Dacromet coating M5x25 UNI 5931	30	0.50
63	310100	Rear support for Oli (machined and anodised, black)	1	30.00
64	340160	Brass cable gland CH15 L=25	2	10.00
65	310051	Rear fork for Oli (perforated) $\varnothing=10.2$ mm	1	15.00
66	330140	Hinge pin $\varnothing=10$ L=51 (zinc plated)	5	4.00
67	130600	Stainless steel external Seeger retaining ring $\varnothing10$ UNI 7435-10	30	0.50
68	156011	NBR O-ring 70 47.3x2.62 TP 3187	30	0.50
69	321080	Unlocking device base for Oli 600 (Nylon, oil-resistant, black, machined)	1	15.00
75	134302	Stainless steel self tapping cap screw chromate plated $\varnothing3.9x13$ UNI 6954	30	0.50
77	131450	Stainless steel Fender washer 4x12x1	30	0.50
78.1	310030	Rod safety guard (anodised aluminium, silver) l=350mm	1	40.00
78.2	310060	Rod safety guard (anodised aluminium, silver) l=485mm	1	45.00
79	320180	Closing cap for rod cover (Nylon, black)	5	3.00

84	470010	Cable group for Oli (resin-coated)	1	45.00
85	162021	Capacitor Aluminium P2 8 μ F \varnothing 35x69 with wires L=200	1	15.00
86	629150	600H Accessories: Hydraulic oil (1 lt)	1	19.50
87	430100	Accessories small bag - Oli brackets art.0/653	1	50.00

OLI/N

230V

OLI/N



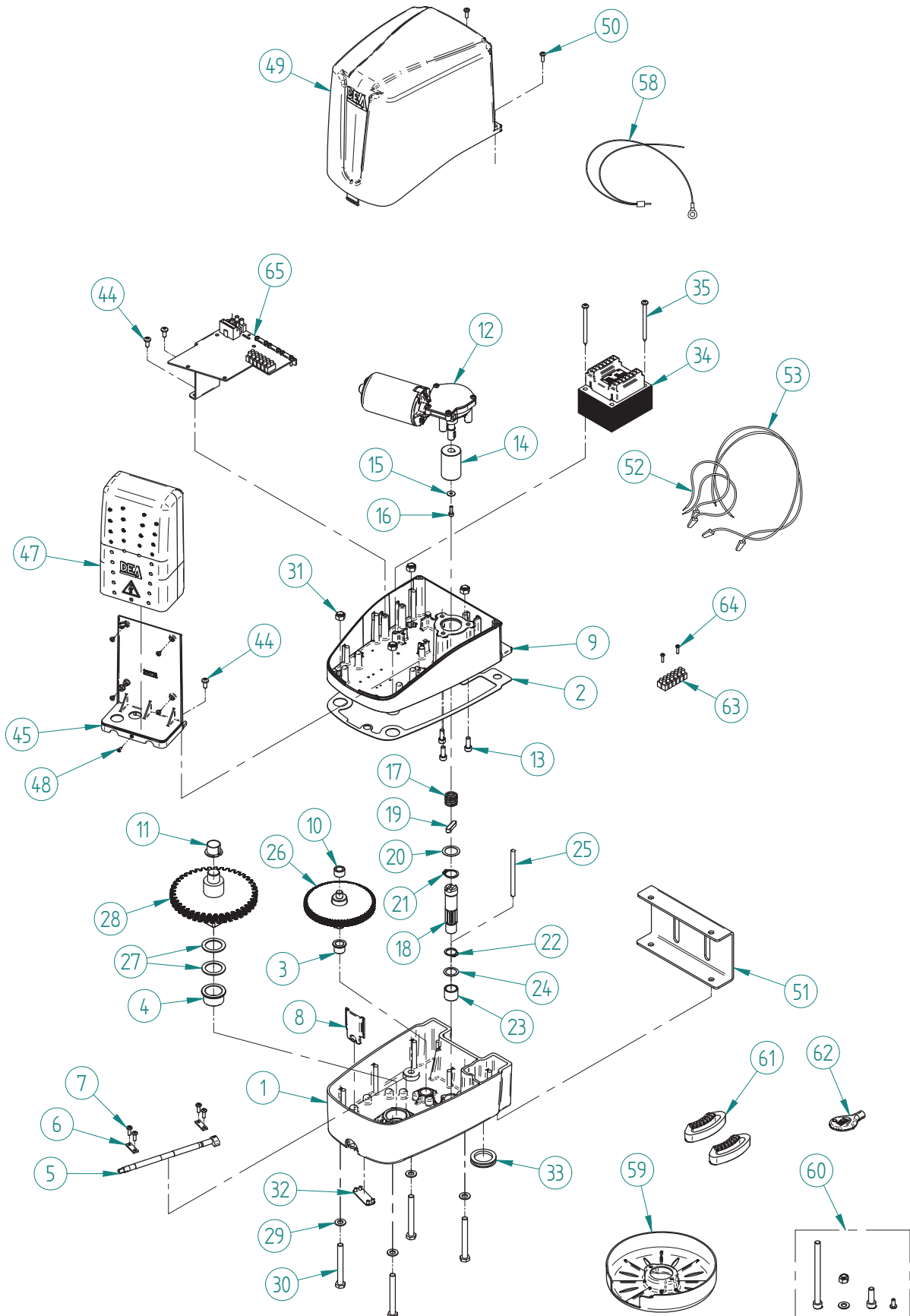
OLI/N

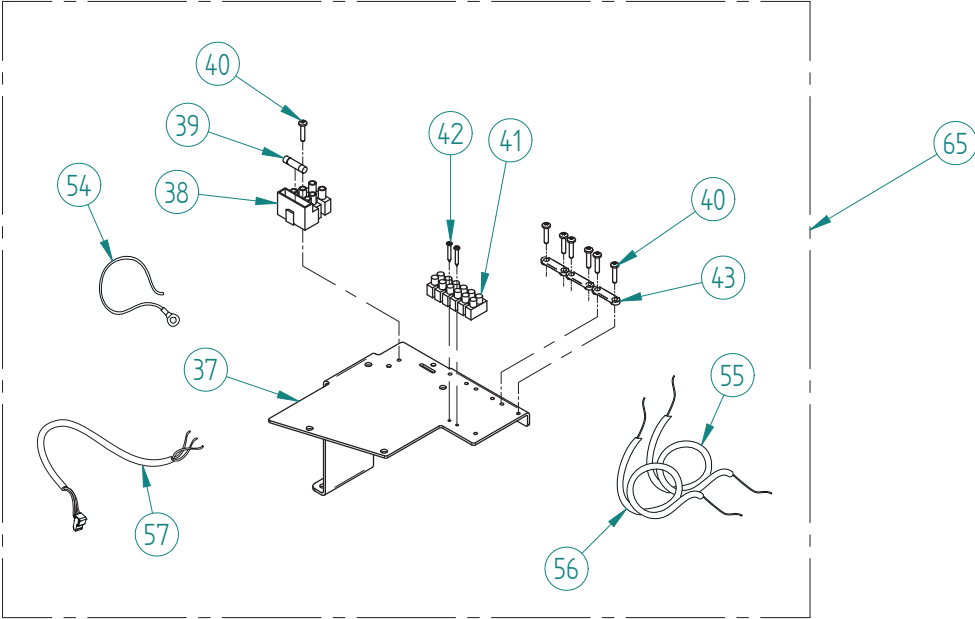
Pos.	Code	Description	Minimum Qty	Unit price in Euro
98.1	460050	Pump unit 602N	1	230.00
98.2	460051	Pump unit 603N, 605N	1	230.00
98.3	460052	Pump unit 604, 606	1	230.00
98.4	460053	Pump unit 602LN	1	230.00
98.5	460054	Pump unit 603L, 605L	1	230.00
98.6	460055	Pump unit 604LN, 606LN	1	230.00
98.7	460056	Pump unit 602A, 607A	1	230.00
98.8	460057	Pump unit 602LAN, 607LN	1	230.00
94	450020	Motor shaft unit	1	60.00
95.1	460040	Rod unit $\varnothing=20$ L=348 (stroke 270mm)	1	75.00
95.2	460041	Rod unit $\varnothing=20$ L=478 (stroke 400mm)	1	85.00
96	460023	Front support unit for OLI/N	1	90.00
99	440034	Unlocking device unit for Oli, with DEA brand and key (series3)	1	35.00
97.1	460092	Tie rod M6 L=365+stainless steel nut unit	5	6.00
97.2	460093	Tie rod M6 L=495+stainless steel nut unit	5	6.00
100	924130C	Rear fork for OLI + screw and nut unit	1	30.00
101	924110N	Gasket bag unit for OLI	1	60.00
2	310040	Motor hood for Oli (die-cast)	2	10.00
5	393030	Stator 73x38 H80 (two-phase) 4 poles 220V 50Hz (Copper base 0.264 Kg)	1	95.00
7	130800	Compensating ring AC 26	30	0.50
36	131501	Zinc plated flat washer $\varnothing4$ UNI 6592	30	0.50
37	330350	Tie rod M4 L=160 with long thread 30mm	15	1.00
38.1	340150	Connection pipe $\varnothing=8$ x2 L=328	1	20.00
38.2	340180	Connection pipe $\varnothing=8$ x2 L=458	1	25.00
39	156000	NBR O-ring 70 2.90x1.78 TP 101	30	0.50
40.1	340190	Cylinder sleeve $\varnothing=45$ L=445	1	55.00
40.2	340140	Cylinder sleeve $\varnothing=45$ L=315	1	45.00
48	320190	Support gasket for Oli (Armitel EL 740 DSM)	5	4.00
50	156009	NBR O-ring 70 6.02x2.62 TP 3024	15	1.00
53	131102	Zinc plated thin nut M12 UNI 5589	30	0.50
54	123000	Articulated head JM12 R	1	20.00
55.1	310120	Cylinder body (anodised aluminium silver) l=580mm	1	100.00
55.2	310110	Cylinder body (anodised aluminium silver) L=710mm	1	110.00
56	132152	Hexagon socket head cap screw 12.9 Dacromet coating M5x25 UNI 5931	30	0.50
57	310100	Rear support for Oli (machined and anodised, black)	1	30.00
58	340160	Brass cable gland CH15 L=25	2	10.00
59	310051	Rear fork for Oli (perforated) $\varnothing=10.2$ mm	1	15.00
60	330140	Hinge pin $\varnothing=10$ L=51 (zinc plated)	5	4.00
61	130600	Stainless steel external Seeger retaining ring $\varnothing10$ UNI 7435-10	30	0.50
63	322410	Extrusion head for Oli V2	2	8.00
72	430004	Accessories small bag - rod cover for OLI 600 series 3	5	4.00
64.1	311490	Rod cover (anodised aluminium) L=340mm	1	55.00
64.2	311500	Rod cover (anodised aluminium) L=475mm	1	60.00
66	430004	Accessories small bag - rod cover for OLI 600 series 3	5	4.00
65	322420	Extrusion terminal for Oli V2	5	3.00
73	321081	Unlocking device handle base for Oli V2	2	10.00
75	322390	Unlocking knob for Oli V2	5	4.00

76	156011	NBR O-ring 70 47.3x2.62 TP 3187	30	0.50
62	132100	Stainless steel hexagon socket head cap screw M4x12 UNI 5931	30	0.50
78	134302	Stainless steel self tapping cap screw chromate plated Ø3.9x13 UNI 6954	30	0.50
82	131450	Stainless steel Fender washer 4x12x1	30	0.50
88	470010	Cable group for Oli (resin-coated)	1	45.00
89	134512	Trilobular cap screw zinc chromate plated M4x8 UNI 8112	30	0.50
90	131710	Zinc plated toothed washer M4	30	0.50
91	162021	Capacitor Aluminium P2 8µF Ø35x69 with wires L=200	1	15.00
92	629150	600H Accessories: Hydraulic oil (1 lt)	1	19.50
93	430100	Accessories small bag - Oli brackets art.0/653	1	50.00

GEKO

24V





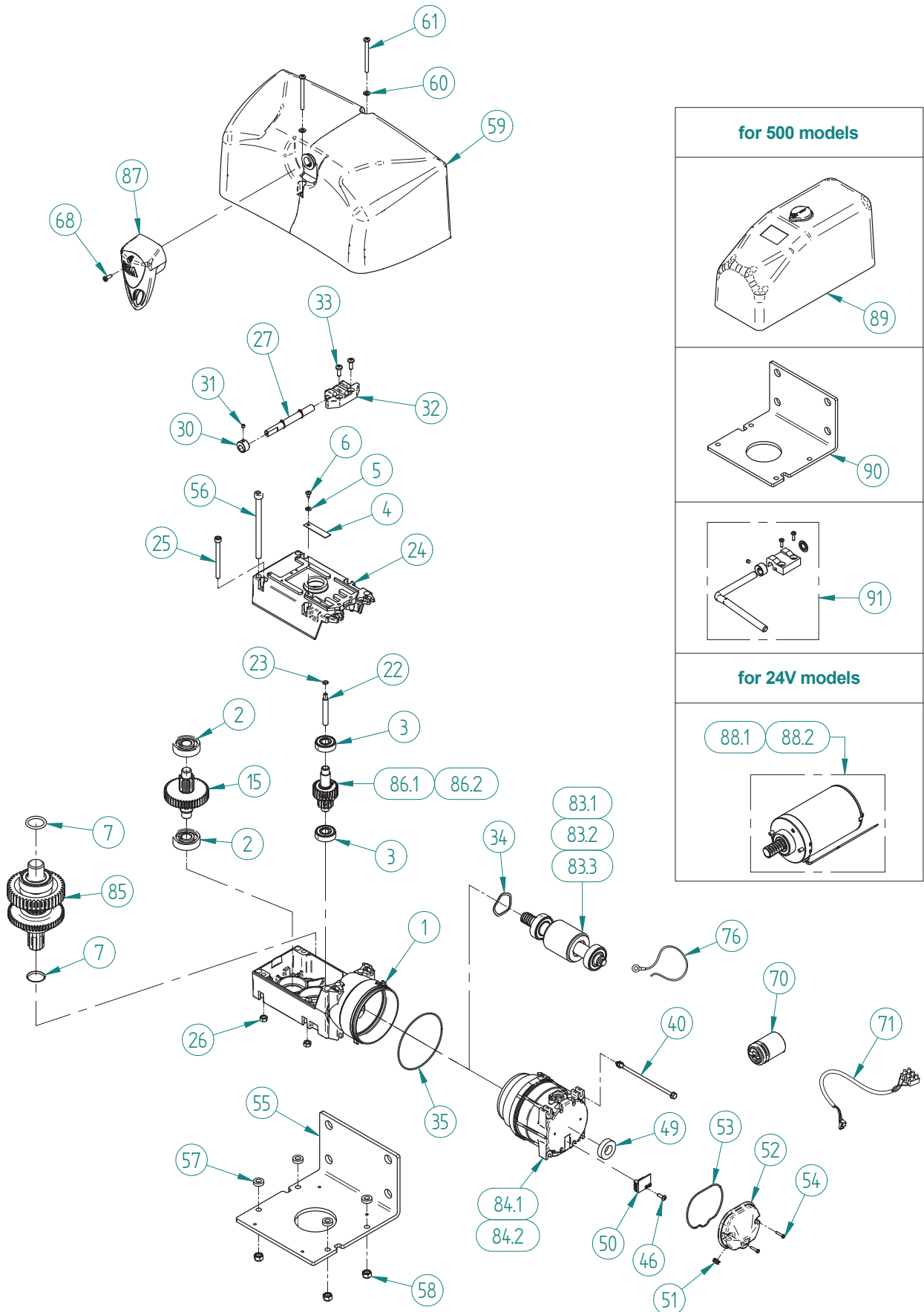
GEKO

Pos.	Code	Description	Minimum Qty	Unit price in Euro
65	480710	Battery support plate unit for Geko	1	45.00
37	381680	Battery support plate for Geko	1	15.00
38	184036	Fuse holder terminal strip (3 poles)	2	8.00
39	168000	Delayed fuse 5x20 2A	5	3.00
40	134506	Trilobular cap screw zinc chromate plated M3x15 UNI 8112	30	0.50
41	184062	Terminal strip (Nylon, white, 110°, 6 poles, Øwire 2.5mm)	5	3.00
42	134228	Self tapping cap screw zinc chromate plated Ø2.2x16 UNI 6954	30	0.50
43	184056	Cable tie 25x3x7x4.2	30	0.50
54	397060	Yellow-green cable 1x1.5 L=70 with eyelet for battery support plate for Geko	10	1.50
55	396910	Red cable 1x1 L=440mm for Geko	10	1.50
56	396920	Blue cable 1x1 L=440mm for Geko	10	1.50
57	396930	Encoder connection cable for Geko	2	8.00
1				
1	310890	Base for Geko (varnished Grey Mica)	1	65.00
2	321910	Gasket for Geko	5	4.00
3	340000	Bronze flanged bushing Øe=16 Øi=12 L=13.5	5	4.00
4	341020	Sintered flanged bushing 36x25x18 for Geko	2	10.00
5	460630	Unlocking rod unit for Geko	1	30.00
6	321860	Plate for Geko	15	1.00
7	134507	Trilobular cap screw zinc chromate plated M4x12 UNI 8112	30	0.50
8	321870	Unlocking device door for Geko	15	1.00
9	310910	Central unit body for Geko (varnished Grey Mica)	1	60.00
10	340010	Bronze bushing Øe=16 Øi=10 L=10	5	4.00
11	120007	Flanged DU bushing 18 15-26T	5	6.00
12	398081	24V gearmotor Ø59 RIGHT for Geko with encoder and filter	1	100.00
13	132004	Hexagon socket head cap screw 8.8 zinc plated M6x16 UNI 5931	30	0.50
14	341000	Unlocking device bush for Geko	1	20.00
15	131450	Stainless steel Fender washer 4x12x1	30	0.50
16	132100	Stainless steel hexagon socket head cap screw M4x12 UNI 5931	30	0.50
17	370460	Spring Øe=18.5 L=14 Øwire=2 turns=4 not milled for Geko	15	1.00
18	332070	Splined pin M=1.5 Z=9 (carbonitrided) for Geko	1	25.00
19	130220	Key 6x6x25 UNI 6604 A	10	1.50
20	130919	Shim ring 19x26x0.5	30	0.50
21	130504	External Seeger retaining ring Ø18 UNI 7435-18	30	0.50
22	130510	External Seeger retaining ring Ø16 UNI 7435-16	30	0.50
23	341010	Sintered bushing 20x16x16 for Geko	5	4.00
24	130918	Shim ring 16x22x0.5	30	0.50
25	332100	Unlocking pin for Geko	5	5.00
26	332080	Pin and wheel (toothed and sealed) for Geko	1	45.00
27	130927	Shim ring 25x35x1.5	10	1.50
28	332092	Shaft Ø30 for gear for Geko (laser-worked)	1	60.00
29	131503	Zinc plated flat washer Ø8 UNI 6592	30	0.50
30	132291	Hexagon head screw 8.8 zinc plated M8x70 partially threaded UNI 5737	10	1.50
31	131250	Zinc plated thin self-locking nut M8 UNI 7474	30	0.50
32	321850	Lower divider for Geko	10	1.50
33	184053	Special cable grommet	10	2.00
34	162107	Lamellar transformer 120VA 230V/22V (no-load)	1	65.00
35	134225	Self tapping cap screw zinc chromate plated Ø4.8x70 UNI 6954	15	1.00

44	134503	Trilobular cap screw zinc chromate plated M5x12 UNI 8112	30	0.50
45	321220	ABS self-extinguishing electric box base for Livi 400 (series2)	5	5.00
47	321230	ABS self-extinguishing electric box cover for Livi 400 (series2)	2	10.00
48	134407	Self tapping flat countersunk head screw zinc chromate plated Ø2.9x9.5 UNI 6955	30	0.50
49	328140	Motor guard for Geko (with screen-printed DEA brand)	1	20.00
50	134552	Stainless steel trilobular cap screw chromate plated M4x12 UNI 8112	30	0.50
51	381670	Fastening plate for Geko (zinc plated)	1	20.00
52	396950	Black cable 1x1.5 L=165mm with faston for Geko	10	1.50
53	396940	Black cable 1x2.5 L=585mm with faston for Geko	5	3.00
58	397182	Yellow-green cable, double, with wire end ferrule and eyelet for Geko	5	6.00
59	321880	Arm safety guard for Geko	5	5.00
60	430660	Accessories small bag for Geko	1	15.00
61	310900	Mechanical lock for Geko	5	4.00
62	928120M	Package with 5 unlocking keys for Geko	0	19.00
63	184062	Terminal strip (Nylon, white, 110°, 6 poles, Øwire 2.5mm)	5	3.00
64	134500	Trilobular cap screw zinc chromate plated M3x12 UNI 8112	30	0.50

LIVI 502

24V - 230V



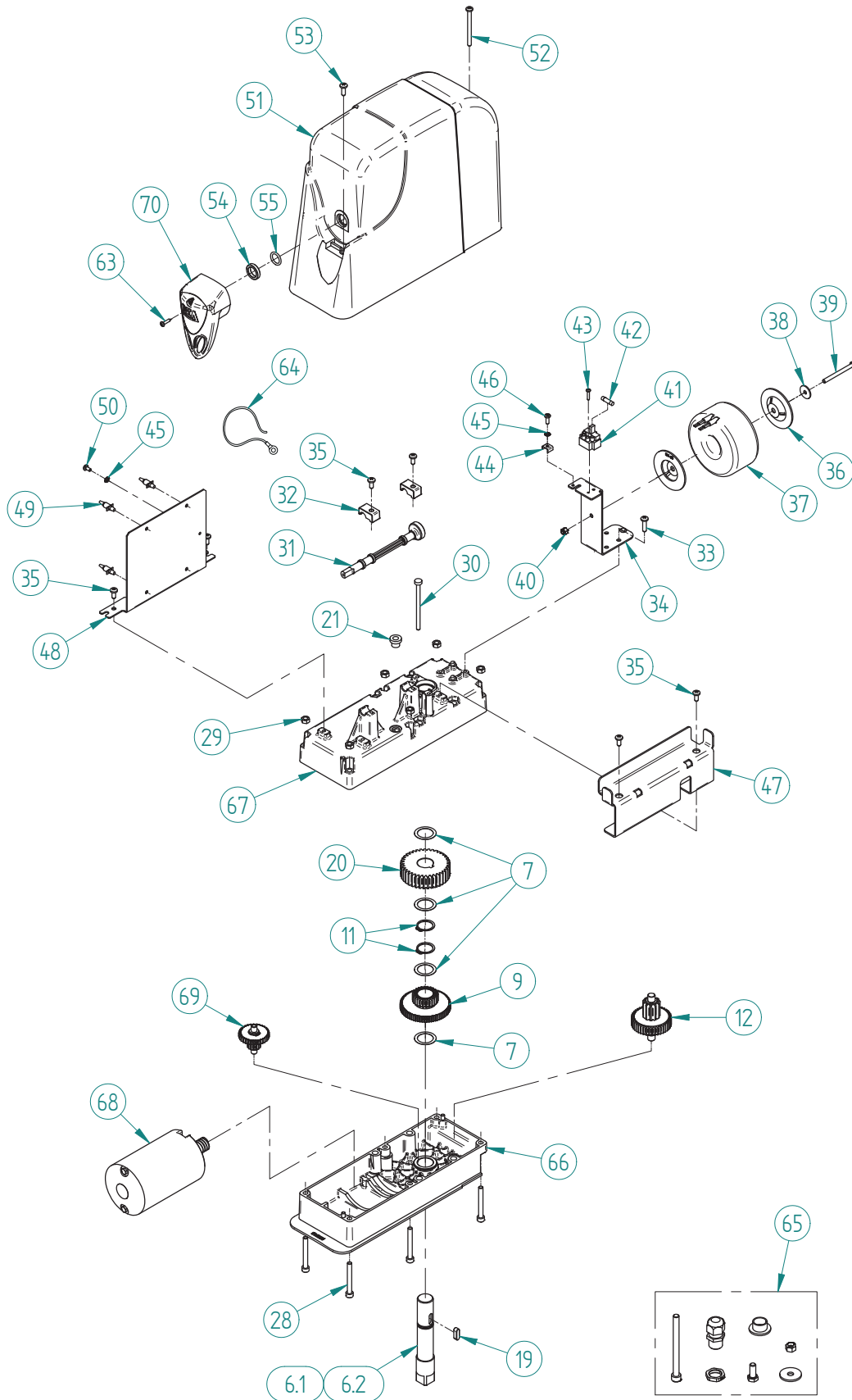
LIVI 500-502

Pos.	Code	Description	Minimum Qty	Unit price in Euro
89	440020	Gearmotor guard for Livi 500+euro locks key unit (series1)	1	55.00
87	440060	Unlocking handle unit for Livi 500, with lock (series2)	1	35.00
83.1	450154	Motor shaft unit for Livi 502	1	60.00
83.2	450155	Motor shaft unit for LIVI 500-900 REVERSIBLE	1	70.00
83.3	450163	Motor shaft unit for Livi 502EN	1	60.00
86.1	460120	Int. unlocking device unit with gear M=1.5 Z=24 $\phi_e=38.5$ for Livi 500-900	1	60.00
86.2	460121	Int. unlocking device unit with gear M=1.5 Z=24 $\phi_e=40$ for Livi 500-900 rev.	1	60.00
85	460134	Shaft unit with 1 grooved part for Livi 500	1	100.00
84.1	470302	Motor hood for Livi 500 (series3)+4-pole stator unit	1	110.00
84.2	470303	Motor hood group for Livi 500 (series3)+6-pole stator unit	1	145.00
88.1	470403	24V motor unit for Livi 500/900/Pass V2	1	145.00
88.2	470404	24V motor unit for Livi 500 LOWERED	1	145.00
91	923050F	Unlocking lever unit for LIVI 500	1	15.00
1	310610	Upper hood for Livi 500-900 (series3)	1	25.00
2	121014	Bearing 6302 ZZ (Slow) d=15 D=42 h=13	3	5.00
3	121004	Bearing 6201 ZZ (Slow) d=12 D=32 h=10	5	3.00
4	350011	Unlocking device blade 11.5x48 th.=0.5	15	1.00
5	131501	Zinc plated flat washer $\phi 4$ UNI 6592	30	0.50
6	134215	Self tapping cap screw zinc chromate plated $\phi 4.2 \times 6.5$ UNI 6954	30	0.50
7	156028	NBR O-ring 70 24.99x3.53 TP 4100	30	0.50
15	330590	Shaft M=2 Z=9 with gear M=1.5 Z=44	1	35.00
22	330280	Unlocking device shaft $\phi=8$ L=59	15	1.00
23	156001	NBR O-ring 70 5.28x1.78 TP 104	30	0.50
24	310601	Lower hood for Livi 500-900 (series2)	1	35.00
25	132088	Hexagon socket head cap screw 8.8 zinc plated M6x70 partially threaded UNI 5931	15	1.00
26	131306	Zinc plated thick nut M6 UNI 5587	30	0.50
27	460270	Unlocking lever unit for Livi 500 (series2)	2	10.00
30	340330	Unlocking device eccentric $\phi=18$ (zinc plated)	5	6.00
31	133500	Cone point grub screw M5x6 UNI 5927	30	0.50
32	310350	Release block for Livi 500-900 (series2) (die-cast)	5	5.00
33	134504	Trilobular cap screw zinc chromate plated M5x15 UNI 8112	30	0.50
34	130801	Compensating ring AC 40	15	1.00
35	156020	NBR O-ring 70 SH 82.27x1.78 TP 2325	15	1.00
40	485050	Motor tie rod unit for Livi 500-900 (series3)	10	1.50
46	134507	Trilobular cap screw zinc chromate plated M4x12 UNI 8112	30	0.50
49	340760	Magnet 2S $\phi_e=31.5$ $\phi_i=16$ th.=8 no. 6 poles	5	3.00
50	480121	Encoder support metal sheet unit for LATO-502EN-902EN	1	35.00
51	184049	PVC cable grommet (black 4-6-10-2)	30	0.50
52	320471	Encoder cover (plastic IP44)	5	3.00
53	156034	NBR O-ring 70 72.76x1.78 TP 2287	10	1.50
54	134506	Trilobular cap screw zinc chromate plated M3x15 UNI 8112	30	0.50
55	380450	Supp. bracket for horizontal gear motor for Livi 500 (zinc plated) (series2)	1	40.00
56	132084	Hexagon socket head cap screw 8.8 zinc plated M8x115 partially threaded UNI 5931	5	3.00
57	340500	Spacer $\phi_e=16$ $\phi_i=8.5$ L=4.5 (zinc plated)	10	1.50
58	131250	Zinc plated thin self-locking nut M8 UNI 7474	30	0.50

59	328060	Motor guard for Livi 502 (Moplen, grey)(series2)	1	20.00
60	131550	Stainless steel flat washer Ø5 UNI 6592	30	0.50
61	132451	Stainless steel cap screw chromate plated M5x60 UNI 7687	15	1.00
68	132402	Cap screw zinc chromate plated M4x10 UNI 7687	30	0.50
70	162021	Capacitor Aluminium P2 8µF Ø35x69 with wires L=200	1	15.00
71	470520	Encoder cable unit with terminal strip (3p)	1	20.00
76	397140	Yellow-green cable 1x1.5 L=550 for 502/24	5	3.00
90	380820	Supp. bracket for horizontal gear motor for Livi 500 (zinc plated) (series1)	1	60.00

ANGOLO

24V

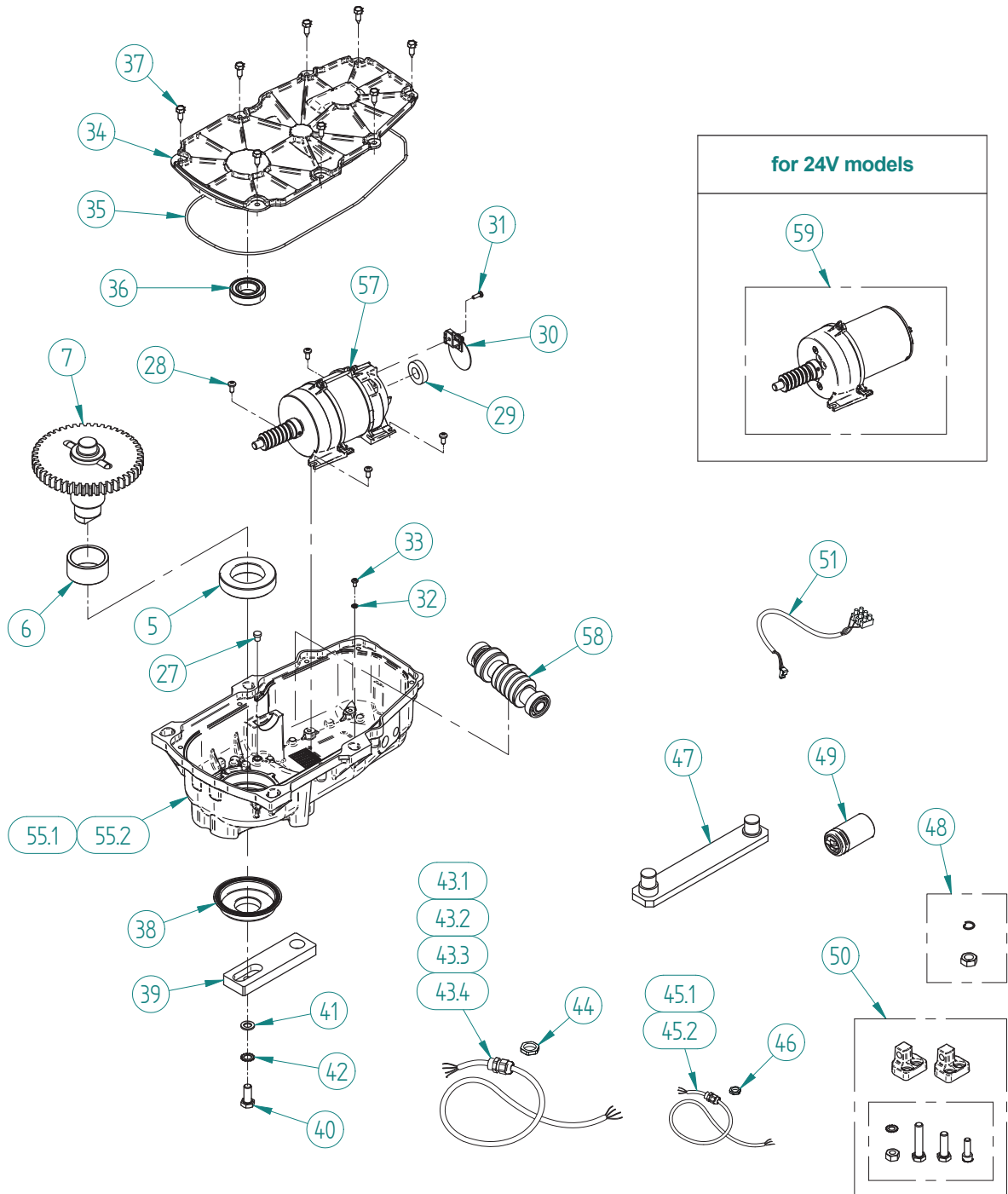


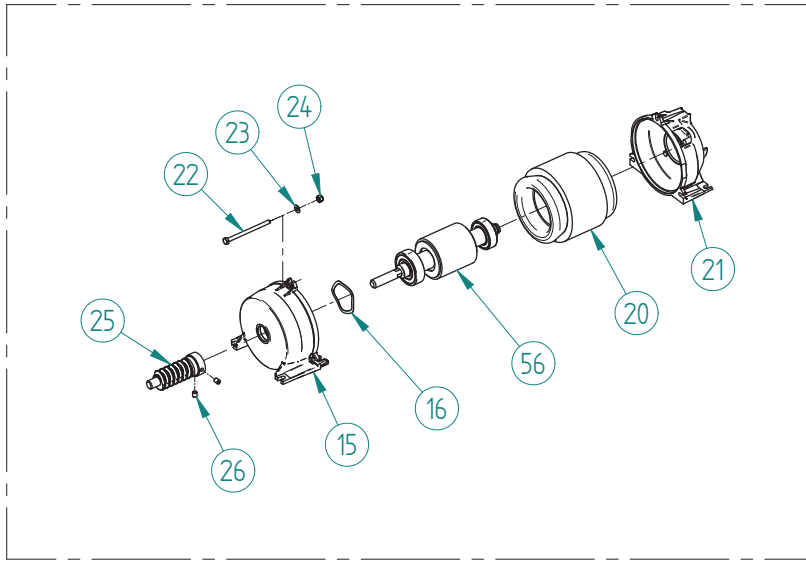
ANGOLO

Pos.	Code	Description	Minimum Qty	Unit price in Euro
70	440060	Unlocking handle unit for Livi 500, with lock (series2)	1	35.00
67	445100	Upper motor hood for Angolo+bushes unit	1	55.00
66	445101	Lower motor hood for Angolo+bushes unit	1	55.00
69	460290	Internal unlocking device unit for Angolo	1	70.00
68	470280	Angolo motor+worm M=1.25 Z=1 $\phi_e=18.43$ unit	1	130.00
6.1	331231	Output shaft $\phi=22$ L=133 $\phi=25$ L=139 for ANGOLO V2	1	30.00
6.2	331260	Shaft $\phi=22$ with gear M=1.75 Z=37 $\phi_e=68.55$ (OLD)	1	35.00
7	130910	Shim ring 22x30x0.3	30	0.50
9	460300	Double gear for Angolo+bushing unit	1	65.00
11	130512	External Seeger retaining ring $\phi 22$ UNI 7435-22	30	0.50
12	331270	Toothed shaft M=1.75 Z=11 L=47.5 with gear M=1.25 Z=42	1	35.00
19	130216	Key 6x6x18 UNI 6604 A	10	2.00
20	360501	Gear for Angolo V2 M=1.75 Z=37 $\phi_e=68.55$	1	25.00
21	184004	Rubber cable grommet DH 80-115-80 BLACK	10	2.00
28	132091	Hexagon socket head cap screw 8.8 zinc plated M6x50 partially threaded UNI 5931	30	0.50
29	131306	Zinc plated thick nut M6 UNI 5587	30	0.50
30	331280	Unlocking pin $\phi=5$ L=82.5 (zinc plated)	1	20.00
31	321180	Angle unlocking lever (Nylon, glass fiber, black)	10	2.00
32	321190	Angle unlocking level contain. blade (Nylon, glass fiber, black)	15	1.00
33	134508	Trilobular cap screw zinc chromate plated M5x20 UNI 8112	30	0.50
34	381030	Transformer support for Angolo (zinc plated metal sheet)	1	15.00
35	134503	Trilobular cap screw zinc chromate plated M5x12 UNI 8112	30	0.50
36	163525	Nylon disc NY6 G30 for transformers $\phi E=60$, $\phi i=37$, ϕ cone= 21, hole $\phi=7$	10	2.00
37	162101	Toroidal transformer 150VA 230V/22V (no-load) + thermal switch	1	85.00
38	131406	Zinc plated Fender washer $\phi 5 \times 20 \times 1.5$	30	0.50
39	132153	Stainless steel hexagon socket head cap screw M5x55 partially threaded UNI 5931	15	1.00
40	131202	Zinc plated standard self-locking nut M5 UNI 7473	30	0.50
41	184029	Fuse holder terminal strip (2 poles)	5	5.00
42	168000	Delayed fuse 5x20 2A	5	3.00
43	134506	Trilobular cap screw zinc chromate plated M3x15 UNI 8112	30	0.50
44	380680	Grounding connection plate (zinc plated)	30	0.50
45	131710	Zinc plated toothed washer M4	30	0.50
46	134507	Trilobular cap screw zinc chromate plated M4x12 UNI 8112	30	0.50
47	381050	Batteries support for Angolo (zinc plated metal sheet)	1	15.00
48	381041	NET24N Board support plates for Angolo	1	20.00
49	134832	Spacer for printed circuit board H=9.5	30	0.50
50	134512	Trilobular cap screw zinc chromate plated M4x8 UNI 8112	30	0.50
51	328080	Motor guard for Angolo (Moplen, grey)	1	20.00
52	132451	Stainless steel cap screw chromate plated M5x60 UNI 7687	15	1.00
53	134504	Trilobular cap screw zinc chromate plated M5x15 UNI 8112	30	0.50
54	321200	Spacer $\phi i=15.5$ $\phi e=22.5$ L=5 (Nylon, glass fiber, black)	10	1.50
55	156027	NBR O-ring 70 15.08x2.62 TP 119	30	0.50
63	134303	Stainless steel self tapping cap screw chromate plated $\phi 3.9 \times 16$ UNI 6954	30	0.50
64	397130	Yellow-green cable 1x1.5 L=150 with 1 eyelet $\phi 4$ for MAC/LOOK/STING	10	2.00
65	430440	Accessories small bag - Angolo gearmotor support base	1	20.00

GHOST 100

24V - 230V



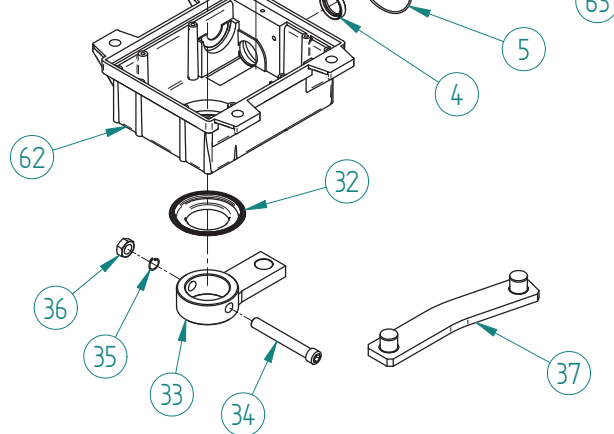
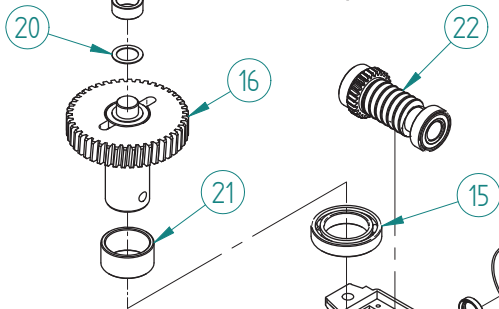
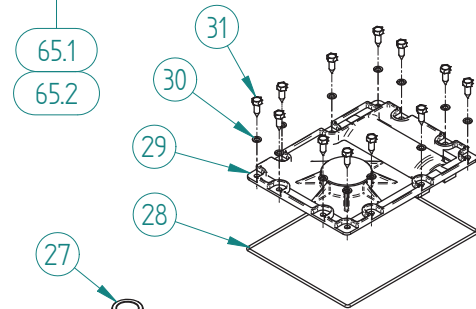
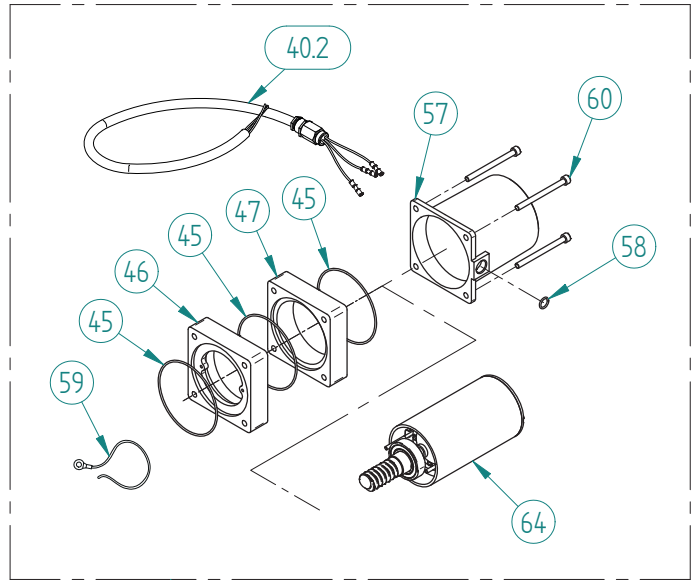
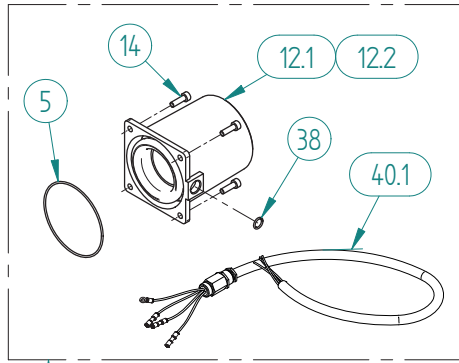


GHOST 100

Pos.	Code	Description	Minimum Qty	Unit price in Euro
55.1	445272	Casing unit for Ghost100 230V-24V M16	1	100.00
55.2	445270	Casing unit for Ghost100 230V with encoder M16+M12	1	100.00
58	460670	Worm unit for Ghost100	1	80.00
57	470580	230V motor unit for Ghost100	1	150.00
15	310750	Front motor hood 230V for Look	1	15.00
16	130801	Compensating ring AC 40	15	1.00
56	450033	Motor shaft unit for Ghost 100 230V	1	60.00
20	393170	Stator (two-phase) 90x50 H50 4 poles 230V 50hz (Copper base 0.40 Kg)	1	85.00
21	310760	Rear motor hood for Look	1	15.00
22	132297	Hexagon head screw 8.8 zinc plated M4x60 partially threaded UNI 5737	15	1.00
23	131501	Zinc plated flat washer Ø4 UNI 6592	30	0.50
24	131255	Zinc plated thin self-locking nut M4 UNI 7474	30	0.50
25	332360	Worm M=2 l=1 L=71 for Ghost 100	1	25.00
26	133510	Flat point grub screw M5x6 with surface treatment: ZB+AUT.PROMOFREN 360 3M S.G. 2353	15	1.00
59	470582	24V motor unit for Ghost100	1	170.00
5	121022	Bearing 6009 2RS C3 (Slow) d=45 D=75 h=16	1	15.00
6	341140	Transmission shaft spacer for Ghost100	2	10.00
7	460660	Transmission shaft unit for Ghost100	1	90.00
27	332290	Worm support	5	5.00
28	134503	Trilobular cap screw zinc chromate plated M5x12 UNI 8112	30	0.50
29	340760	Magnet 2S Øe=31.5 Øi=16 th.=8 no. 6 poles	5	3.00
30	480125	Encoder support metal sheet unit for Look-Mac	1	30.00
31	134507	Trilobular cap screw zinc chromate plated M4x12 UNI 8112	30	0.50
32	131710	Zinc plated toothed washer M4	30	0.50
33	134512	Trilobular cap screw zinc chromate plated M4x8 UNI 8112	30	0.50
34	311170	Shell cover for Ghost100	1	55.00
35	156044	NBR O-ring 70 278.99x3.53 TP 41100	1	15.00
36	121002	Bearing 6005 2RS (Slow) d=25 D=47 h=12	5	6.00
37	134180	Stainless steel self tapping hexagon head screw Ø6.3x19 UNI 6949	15	1.00
38	322231	Oil splash guard for Ghost100	5	4.00
39	386770	Gearmotor lever (zinc plated) for Ghost100	1	30.00
40	132210	Hexagon head screw 8.8 zinc plated M10x25 UNI 5739	15	1.00
41	131504	Zinc plated flat washer Ø10 UNI 6592	30	0.50
42	131715	Zinc plated toothed washer M10	30	0.50
43.1	470590	Power supply cable unit for Ghost100, resin-coated, 230V, SHORT	1	35.00
43.2	470591	Power supply cable unit for Ghost100, resin-coated, 230V, LONG	1	70.00
43.3	470592	Power supply cable unit for Ghost100, resin-coated, 24V, SHORT	1	35.00
43.4	470593	Power supply cable unit for Ghost100, resin-coated, 24V, LONG	1	60.00
44	184075	Nickel plated brass cable gland nut for M16	10	2.00
45.1	470594	Encoder cable unit for Ghost100, resin-coated, 230V, SHORT	1	30.00
45.2	470595	Encoder cable unit for Ghost100, resin-coated, 230V, LONG	1	45.00
46	184074	Nickel plated brass cable gland nut for M12	15	1.00
47	350732	Connecting rod (welded) 107° for casing 215 for Ghost100	1	30.00
48	430040	Accessories small bag for Ghost-Stop	5	3.00
49	162023	Capacitor Aluminium P2 10µF Ø35x75 with wires L=200mm	1	20.00
50	629031	118 swing gates Accessories:mechanical limit switch for Ghost100	1	30.00
51	470520	Encoder cable unit with terminal strip (3p)	1	20.00

GHOST 200

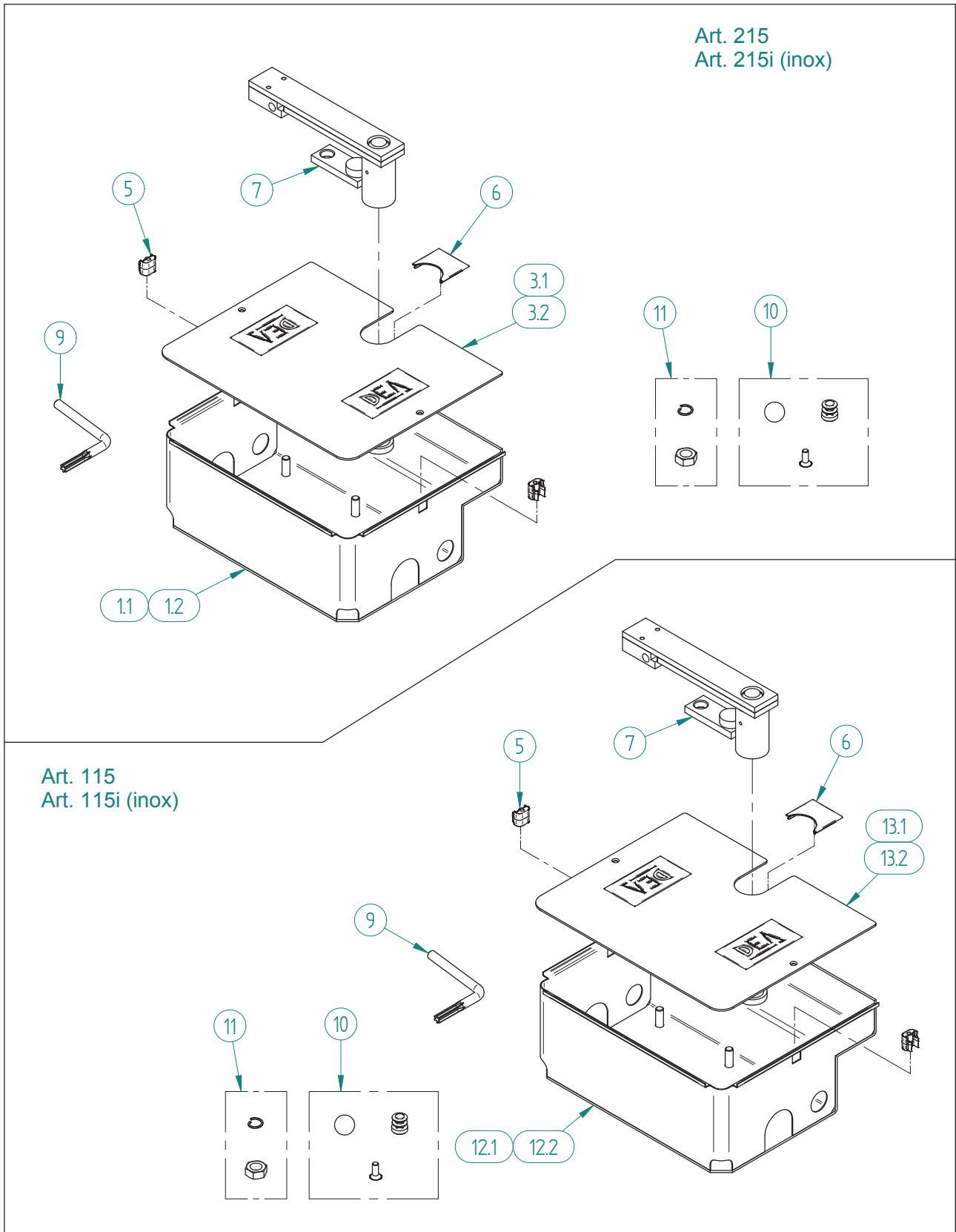
24V - 230V

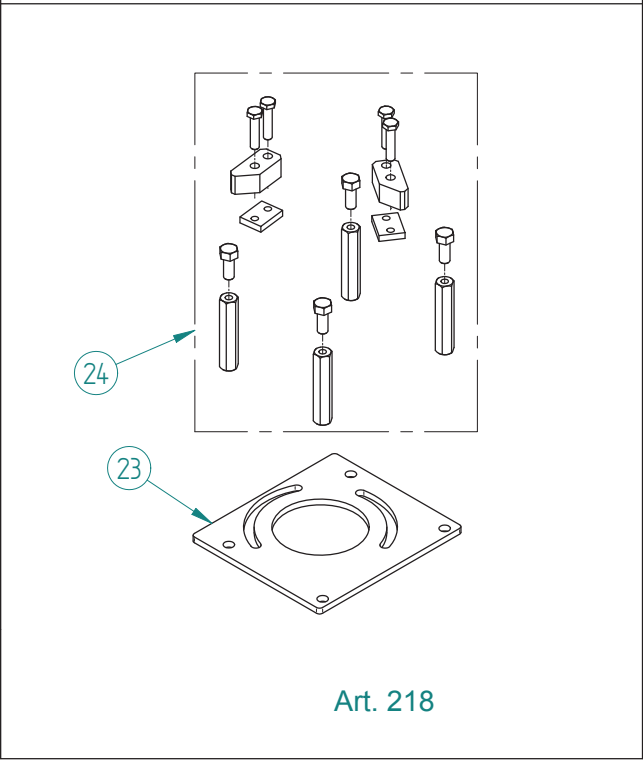
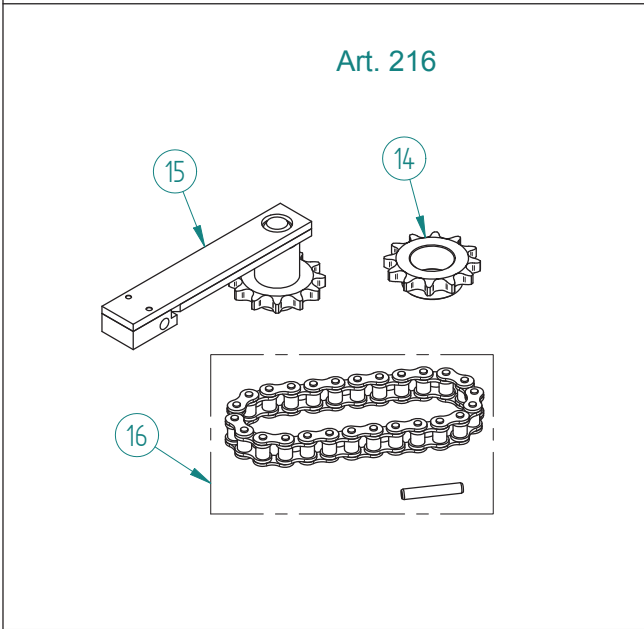
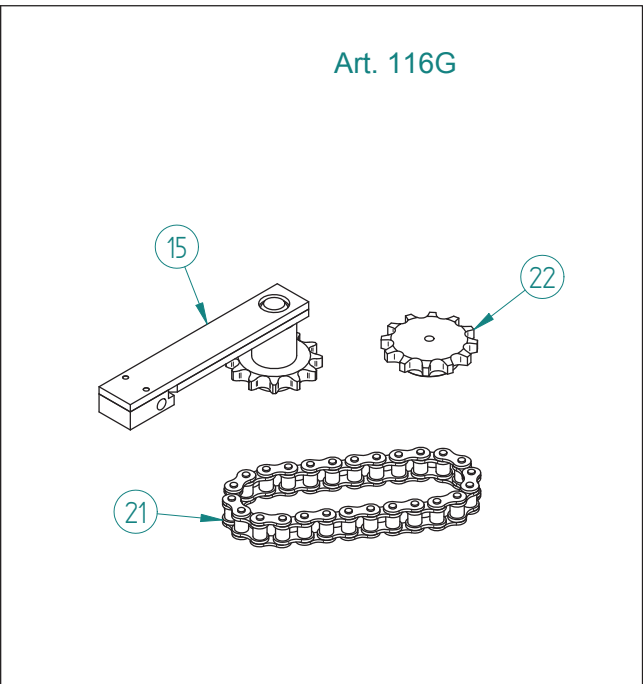
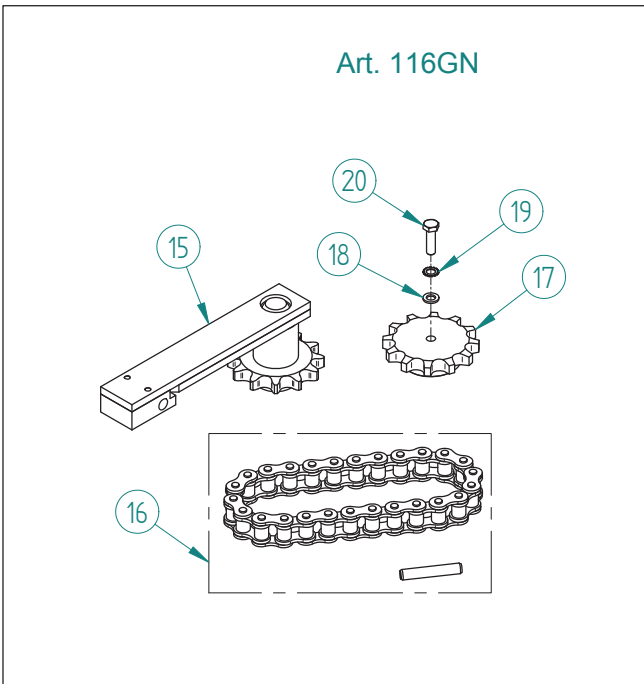


GHOST 200

Pos.	Code	Description	Minimum Qty	Unit price in Euro
62	445180	Gearmotor casing for Ghost 200 (series1)+sealing ring unit	1	75.00
63	450031	Motor shaft unit for Ghost	1	65.00
64	470064	Electric motor for ghost 200/24	1	190.00
65.1	921032D	Electric motor + hood + cable L= 8 mt. unit for GHOST 200	1	200.00
65.2	921033D	Electric motor + hood + cable L= 8 mt. unit for GHOST 200L	1	200.00
66	921071H	24V motor + covers + flanges + cable L=8000 unit	1	240.00
4	157002	Sealing ring SC 25x35x7	5	3.00
5	156015	NBR O-ring 70 90x2	15	1.00
10	130801	Compensating ring AC 40	15	1.00
12.1	470040	Hood unit with stator 90x50 H60 4 poles (built-in)	1	115.00
12.2	470041	Hood unit with stator90x50 H60 6 poles (built-in)	1	125.00
14	132102	Stainless steel hexagon socket head cap screw M6x20 UNI 5931	30	0.50
15	121017	Bearing 6010 2RS C3 (Slow) d=50 D=80 h=16	1	15.00
16	460111	Transmission shaft unit for Ghost200	1	100.00
20	130912	Shim ring 25x35x1	15	1.00
21	340840	Spacer $\phi_e=60$ $\phi_i=50.2$ L=30	1	15.00
22	460102	Worm unit for Ghost200	1	90.00
27	340640	Bronze bushing $\phi_e=35$ $\phi_i=25$ L=15	1	15.00
28	156031	NBR O-ring 70 224x3	5	3.00
29	310131	Cover for gearmotor ofGhost (series2) (varnished Metallised Al)	1	35.00
30	131701	Aluminium washer $\phi 6 \times 10 \times 1$	30	0.50
31	134180	Stainless steel self tapping hexagon head screw $\phi 6.3 \times 19$ UNI 6949	15	1.00
32	322230	Oil splash guard for Ghost200	5	3.00
33	386010	Gearmotor lever (zinc plated) $\phi_i=50$ H=34 L=140	1	35.00
34	132087	Hexagon socket head cap screw 8.8 zinc plated M12x90 partially threaded UNI 5931	5	4.00
35	131601	Zinc plated spring washer $\phi 12$ UNI 1751 A	30	0.50
36	131004	Zinc plated standard nut M12 UNI 5588	30	0.50
37	350101	Connecting rod (welded and zinc plated) for Ghost200	1	30.00
38	156006	NBR O-ring 70 10.82x1.78 TP 2043	30	0.50
61	131708	Zinc plated toothed washer M5	30	0.50
39	134502	Trilobular cap screw zinc chromate plated M5x8 UNI 8112	30	0.50
40.1	470182	Grey cable unit 4x1.5 L=8000 mm +cable gland 3/8" brass x 200 CL	1	90.00
40.2	470180	Grey cable unit 4x1.5 L=1700mm+cable gland 3/8" brass x 200	1	50.00
40.3	470181	Grey cable unit 3x1.5 L=1700mm+cable gland 3/8" brass x 200/24	1	45.00
40.4	470183	Grey cable unit 3x1.5 L=8000mm +cable gland 3/8" brass x 200/24 CL	1	75.00
41	430040	Accessories small bag for Ghost-Stop	5	3.00
42	162025	Capacitor Aluminium P2 12.5 μ F $\phi 35 \times 75$ with wires L=200mm	1	15.00
45	156015	NBR O-ring 70 90x2	15	1.00
46	310476	Union flange for Ghost24V (machined)	1	35.00
47	310471	Union turned flange for Ghost24V (varnished Metallised Al)	1	30.00
57	310152	Motor hood for Ghost 24V (varnished Metallised Al)	1	60.00
58	156006	NBR O-ring 70 10.82x1.78 TP 2043	30	0.50
59	397150	Yellow-green cable 1x1.5 L=250 with 1 eyelet $\phi 4$ for 200/24 and Geko	5	3.00
60	132132	Stainless steel hexagon socket head cap screw M6x75 partially threaded UNI 5931	10	2.00

FOUNDATION BOX





FOUNDATION BOX

Pos.	Code	Description	Minimum Qty	Unit price in Euro
Art. 215 - Foundation box				
1.1	386322	Foundation box with cataphoresis treatment for V2 Ghost200	1	150.00
3.1	386333	Zinc plated metal sheet cover with DEA brand for V2 Ghost200	1	65.00
5	322270	Coupling for foundation box fastening	10	1.50
6	322240	Cover for Ghost foundation box	15	1.00
7	480664	Unlocking device for foundation box V2	1	105.00
9	330610	UNLOCKING KEY FOR GHOST $\varnothing=14$ with toothing M=1.5 Z=6 L=40 (zinc plated)	1	18.50
10	430110	Accessories small bag - foundation box art.215	2	8.00
11	430041	Accessories small bag - stainless steel foundation box	2	8.00
Art. 215I - Stainless steel foundation box				
1.2	386183	Stainless steel foundation box for V2 Ghost200	1	270.00
3.2	386194	Stainless steel cover with DEA brand for V2 Ghost200	1	120.00
5	322270	Coupling for foundation box fastening	10	1.50
6	322240	Cover for Ghost foundation box	15	1.00
7	480664	Unlocking device for foundation box V2	1	105.00
9	330610	UNLOCKING KEY FOR GHOST $\varnothing=14$ with toothing M=1.5 Z=6 L=40 (zinc plated)	1	18.50
10	430110	Accessories small bag - foundation box art.215	2	8.00
11	430041	Accessories small bag - stainless steel foundation box	2	8.00
Art. 115 - Foundation box				
12.1	386321	Foundation box with cataphoresis treatment for Ghost100	1	155.00
13.1	386332	Cover for zinc plated foundation box for Ghost100	1	65.00
5	322270	Coupling for foundation box fastening	10	1.50
6	322240	Cover for Ghost foundation box	15	1.00
7	480664	Unlocking device for foundation box V2	1	105.00
9	330610	UNLOCKING KEY FOR GHOST $\varnothing=14$ with toothing M=1.5 Z=6 L=40 (zinc plated)	1	18.50
10	430110	Accessories small bag - foundation box art.215	2	8.00
11	430041	Accessories small bag - stainless steel foundation box	2	8.00
Art. 215I - Stainless steel foundation box				
12.2	386182	Stainless steel foundation box for Ghost100	1	240.00
13.2	386193	Cover for stainless steel foundation box for Ghost100	1	130.00
5	322270	Coupling for foundation box fastening	10	1.50
6	322240	Cover for Ghost foundation box	15	1.00
7	480664	Unlocking device for foundation box V2	1	105.00
9	330610	UNLOCKING KEY FOR GHOST $\varnothing=14$ with toothing M=1.5 Z=6 L=40 (zinc plated)	1	18.50
10	430110	Accessories small bag - foundation box art.215	2	8.00
11	430041	Accessories small bag - stainless steel foundation box	2	8.00
Art.216 - Device to be fixed into art. 215 and 215I to obtain an opening angle of 180°				
15	480665	Unlocking device unit 180° for foundation box (zinc-plated) V2	1	110.00
14	126011	Galvanised pinion for chain 1" x 17.02 Z=12	1	45.00
16	430230	Accessories small bag - art.216	1	80.00
Art.216GN - Device to be fixed into art. 215 and 215I to obtain an opening angle of 180°				
15	480665	Unlocking device unit 180° for foundation box (zinc-plated) V2	1	110.00
16	430230	Accessories small bag - art.216	1	80.00
17	360731	Pinion for chain 116g-N 1"x17.02 Z=12	1	50.00
20	132228	Hexagon head screw 8.8 zinc plated M10x35 UNI 5739	15	1.00
19	131715	Zinc plated toothed washer M10	30	0.50

18	131504	Zinc plated flat washer Ø10 UNI 6592	30	0.50
Art.116G - Device to be fixed into art. 115 and 115I to obtain an opening angle of 180°				
15	480665	Unlocking device unit 180° for foundation box (zinc-plated) V2	1	110.00
22	360730	Pinion for chain 1" x 17.02 Z=12	1	60.00
21	125025	Nickel-plated simplex roller chain 1"x17.02 ISO 16B-1 23 pitches +offset link+connecting link	1	70.00
Art. 218 - mechanical limit switches				
23	350240	Base plate 229x205x8 (zinc plated)	1	60.00
24	430200	Accessories small bag - mechanical limit switch for Ghost art.218	1	55.00

LIVI 902

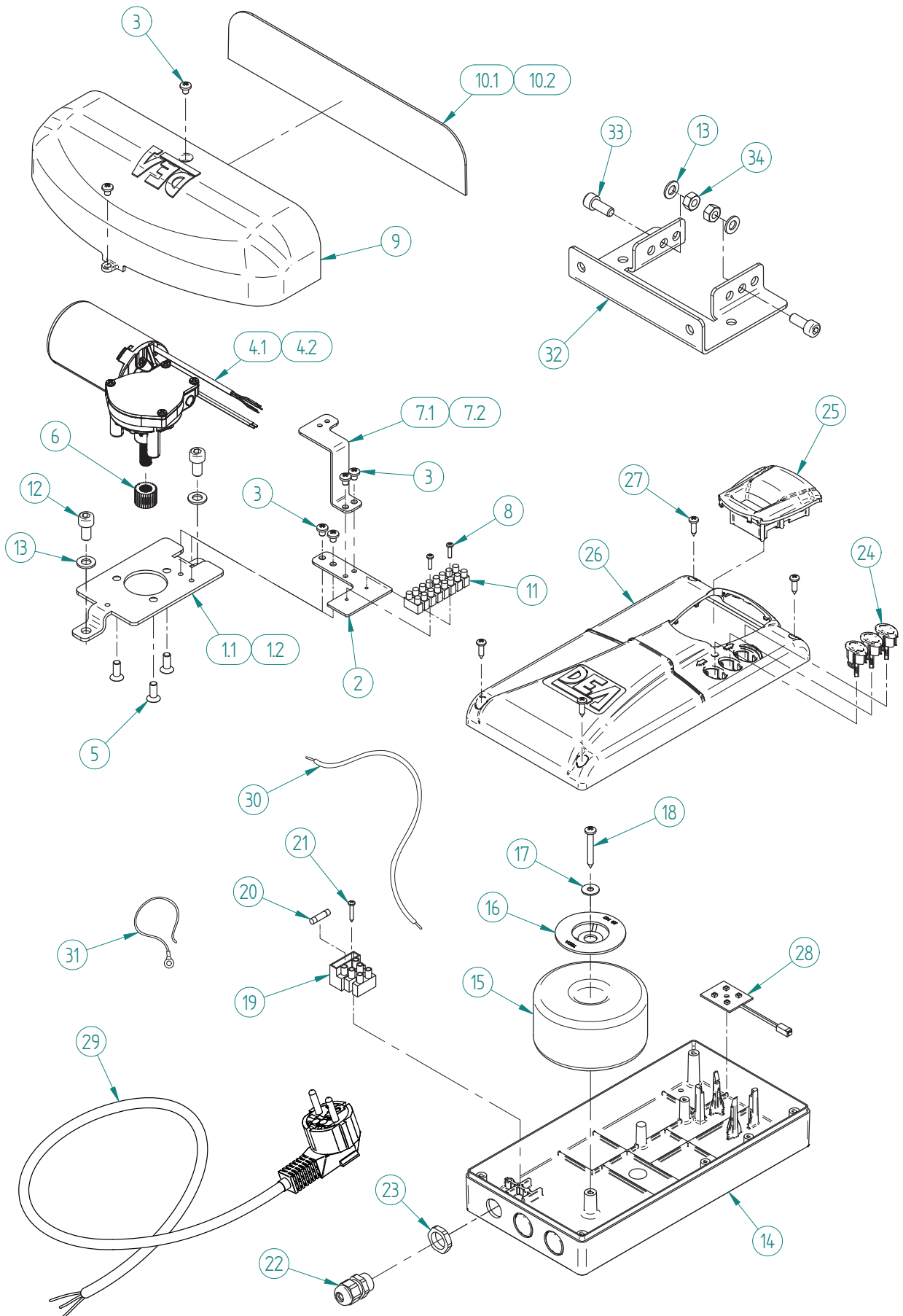
Pos.	Code	Description	Minimum Qty	Unit price in Euro
89	450160	Motor shaft unit for Pass 230	1	60.00
91	460120	Int. unlocking device unit with gear M=1.5 Z=24 $\phi_e=38.5$ for Livi 500-900	1	60.00
90	460133	Shaft unit with 2 grooved parts for Livi 900	1	100.00
92	470300	Motor hood for Livi 900 (series3)+ 4-pole stator unit	1	100.00
93	480041	Lamp holding plate unit for Livi 902	1	60.00
50	131710	Zinc plated toothed washer M4	30	0.50
51	134507	Trilobular cap screw zinc chromate plated M4x12 UNI 8112	30	0.50
64	162021	Capacitor Aluminium P2 8 μ F ϕ 35x69 with wires L=200	1	15.00
66	380680	Grounding connection plate (zinc plated)	30	0.50
68	134506	Trilobular cap screw zinc chromate plated M3x15 UNI 8112	30	0.50
70	170021	LED module without plastic cover	1	20.00
71	134509	Trilobular cap screw zinc chromate plated M4x6 UNI 8112	30	0.50
85	380390	Support bracket (base configuration)	1	20.00
86	184022	Terminal strip (Nylon, white, 110°, 6 poles)	5	4.00
87	184047	Terminal strip (Nylon, white, 110°, 3 poles, ϕ wire 2.5mm)	10	1.50
88	134202	Self tapping cap screw zinc chromate plated ϕ 2.2x13 UNI 6954	30	0.50
94	480080	Panel support plate unit for Livi 903-904-905	1	60.00
50	131710	Zinc plated toothed washer M4	30	0.50
51	134507	Trilobular cap screw zinc chromate plated M4x12 UNI 8112	30	0.50
63	380401	Board support for Livi 903-904-905	2	10.00
64	162021	Capacitor Aluminium P2 8 μ F ϕ 35x69 with wires L=200	1	15.00
65	134830	Spacer for printed circuit board H=19.1	15	1.00
66	380680	Grounding connection plate (zinc plated)	30	0.50
67	184020	Terminal strip (Nylon, white, 110°, 2 poles)	10	1.50
68	134506	Trilobular cap screw zinc chromate plated M3x15 UNI 8112	30	0.50
69	380422	Omega for LED module 64 x 55 H=40	5	4.00
70	170021	LED module without plastic cover	1	20.00
71	134509	Trilobular cap screw zinc chromate plated M4x6 UNI 8112	30	0.50
72	134503	Trilobular cap screw zinc chromate plated M5x12 UNI 8112	30	0.50
83	396590	Bipolar cable 2x1 l=390mm	5	6.00
1	310610	Upper hood for Livi 500-900 (series3)	1	25.00
2	121014	Bearing 6302 ZZ (Slow) d=15 D=42 h=13	3	5.00
3	121004	Bearing 6201 ZZ (Slow) d=12 D=32 h=10	5	3.00
4	350011	Unlocking device blade 11.5x48 th.=0.5	15	1.00
5	131501	Zinc plated flat washer ϕ 4 UNI 6592	30	0.50
6	134215	Self tapping cap screw zinc chromate plated ϕ 4.2x6.5 UNI 6954	30	0.50
7	156028	NBR O-ring 70 24.99x3.53 TP 4100	30	0.50
17	330590	Shaft M=2 Z=9 with gear M=1.5 Z=44	1	35.00
26	330280	Unlocking device shaft ϕ =8 L=59	15	1.00
27	156001	NBR O-ring 70 5.28x1.78 TP 104	30	0.50
28	310601	Lower hood for Livi 500-900 (series2)	1	35.00
29	132088	Hexagon socket head cap screw 8.8 zinc plated M6x70 partially threaded UNI 5931	15	1.00
30	131306	Zinc plated thick nut M6 UNI 5587	30	0.50
31	310240	Release block (aluminium) for Livi 500-900 (series1)	5	6.00
33	372010	Unlocking lever 105x80 ϕ =10 (zinc plated)	2	8.00
34	340332	Unlocking device eccentric ϕ =18 L=6.5 (zinc plated)	2	8.00

35	381550	Flush unlocking device cam (zinc plated metal sheet)	5	3.00
36	131703	Push-on washer \varnothing 10	30	0.50
37	133500	Cone point grub screw M5x6 UNI 5927	30	0.50
38	134504	Trilobular cap screw zinc chromate plated M5x15 UNI 8112	30	0.50
44	130801	Compensating ring AC 40	15	1.00
45	156020	NBR O-ring 70 SH 82.27x1.78 TP 2325	15	1.00
51	134507	Trilobular cap screw zinc chromate plated M4x12 UNI 8112	30	0.50
54	485050	Motor tie rod unit for Livi 500-900 (series3)	10	1.50
57	340760	Magnet 2S $\varnothing_e=31.5$ $\varnothing_i=16$ th.=8 no. 6 poles	5	3.00
58	480120	Encoder support metal sheet unit for Livi 6RR-9RR-905RR	1	30.00
73	132200	Hexagon head screw 8.8 zinc plated M6x10 UNI 5739	30	0.50
74	131001	Zinc plated standard nut M6 UNI 5588	30	0.50
78	328021	Motor guard for Livi 900 (ABS, grey)(series2)	1	30.00
79	320440	Guard window for Livi 900 (series2)	5	5.00
81	380411	Button support bracket for Livi 902 (series2)	5	5.00
82	184014	Black push-button	1	20.00
84	396250	Black cable 3x0.5 L=650mm	2	10.00
95	430610	Accessories small bag - motor 905NET/BF and 902/BF	1	15.00

ADVANCE

24V

ADVANCE

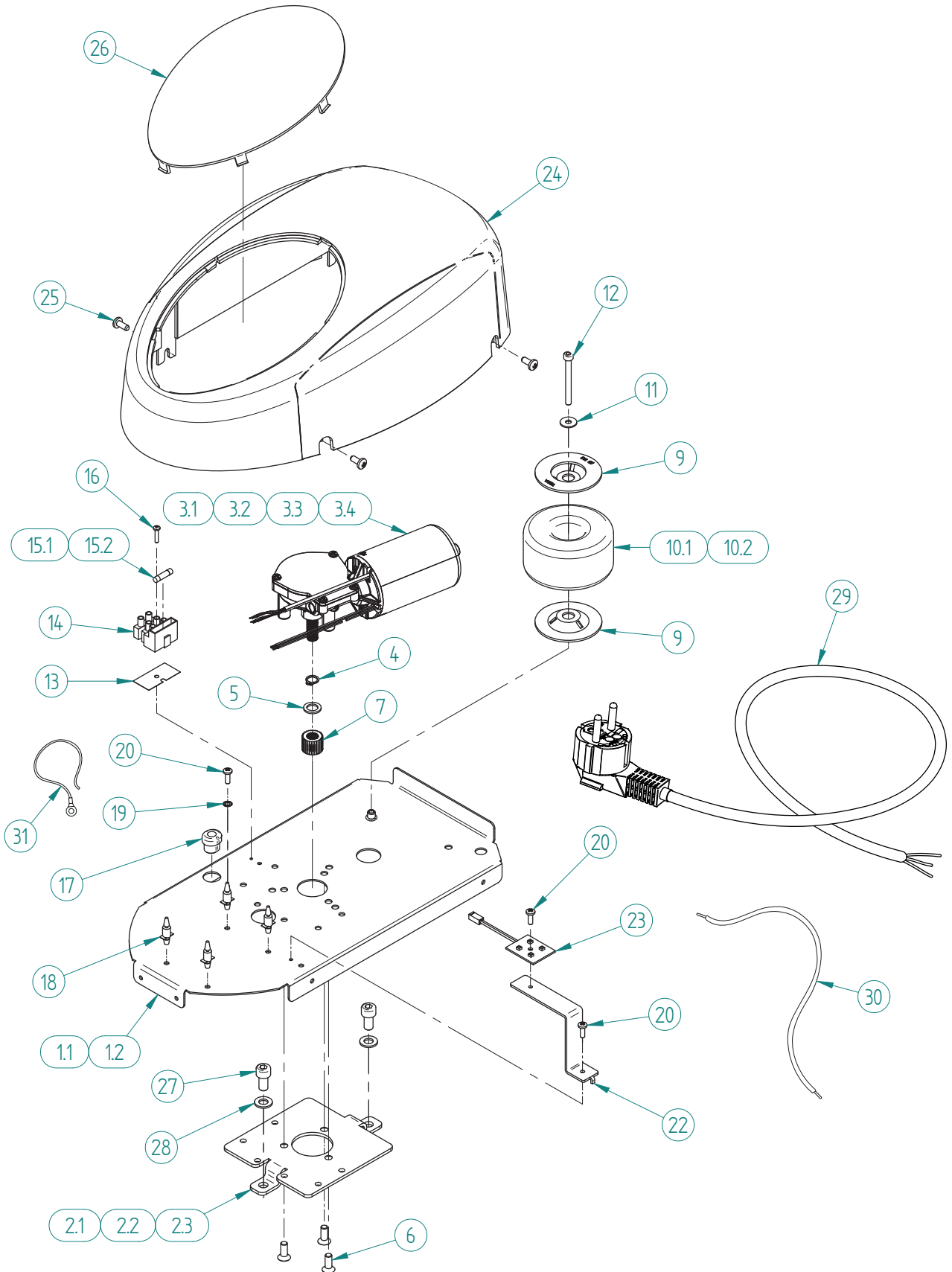


ADVANCE

Pos.	Code	Description	Minimum Qty	Unit price in Euro
1.1	382380	24V motor plate for Advance/c	1	20.00
1.2	382381	24V motor plate for Advance XL/c	1	20.00
2	382240	Mammut terminal strip fastening metal sheet for Advance	5	4.00
3	132403	Cap screw zinc chromate plated M5x6	30	0.50
4.1	398085	24V motor Ø59 600N for Advance-SPACE 2CH	1	100.00
4.2	398220	24V motor Ø63 VIP 120 / Advance XL (LEFT) 2CH	1	120.00
5	132615	Hexagon socket countersunk flat head screw zinc plated M6x16 UNI 5933	30	0.50
6	311460	Sintered bush 8X10 DIN 5481	5	5.00
7.1	382250	Guard fastening metal sheet for Advance	5	5.00
7.2	382251	Guard fastening metal sheet for Advance XL	2	10.00
8	134500	Trilobular cap screw zinc chromate plated M3x12 UNI 8112	30	0.50
9	328250	Motor guard for Advance	2	8.00
10.1	328260	Guard closing for Advance	5	3.00
10.2	328261	Guard closing for Advance XL	5	3.00
11	184086	Terminal strip (Nylon, white, 110°, 8 poles, Øwire 2.5mm)	5	4.00
12	132022	Hexagon socket button head screw 8.8 zinc plated M8x16 UNI 5931	30	0.50
13	131503	Zinc plated flat washer Ø8 UNI 6592	30	0.50
14	328270	Rear side of central unit casing for Advance	1	15.00
15	162114	Toroidal transformer 150VA 230V/25V (no-load) + thermal switch	1	85.00
16	163525	Nylon disc NY6 G30 for transformers ØE= 60, Øi=37, Ø cone= 21, hole Ø=7	10	2.00
17	131412	Zinc plated Fender washer 5x15x1,2	30	0.50
18	134232	Self tapping cap screw zinc chromate plated Ø4.8x38 UNI 6954	30	0.50
19	184036	Fuse holder terminal strip (3 poles)	2	8.00
20	168000	Delayed fuse 5x20 2A	5	3.00
21	134230	Self tapping cap screw zinc chromate plated Ø2.9x19 UNI 6954	30	0.50
22	184080	Polyamide cable gland M16x1.5 Øcable 5-10 BLACK	5	3.00
23	184081	Polyamide cable gland nut M16 BLACK	15	1.00
24	328300	Control unit casing button for Advance	15	1.00
25	328290	Central unit casing semi-transparent hood for Advance	5	4.00
26	328280	Control unit casing cover for Advance	1	15.00
27	134227	Self tapping cap screw zinc chromate plated Ø4.2x16 UNI 6954	30	0.50
28	170017	LED module G4 with connector for Advance	1	25.00
29	396530	Black cable 3x1 L=1200mm with schuko plug	1	15.00
30	396580	White cable 1x1 L=170 with heat-shrink sleeve	10	1.50
31	397260	Yellow/green cable 1x1.5 l=220 with faston and wire end ferrule for Advance	10	1.50
32	382550	Wall fastening metal sheet for Advance	1	15.00
33	132007	Hexagon socket head cap screw 8.8 zinc plated M8x20 UNI 5931	15	1.00
34	131002	Zinc plated standard nut M8 UNI 5588	30	0.50

SPACE

24V

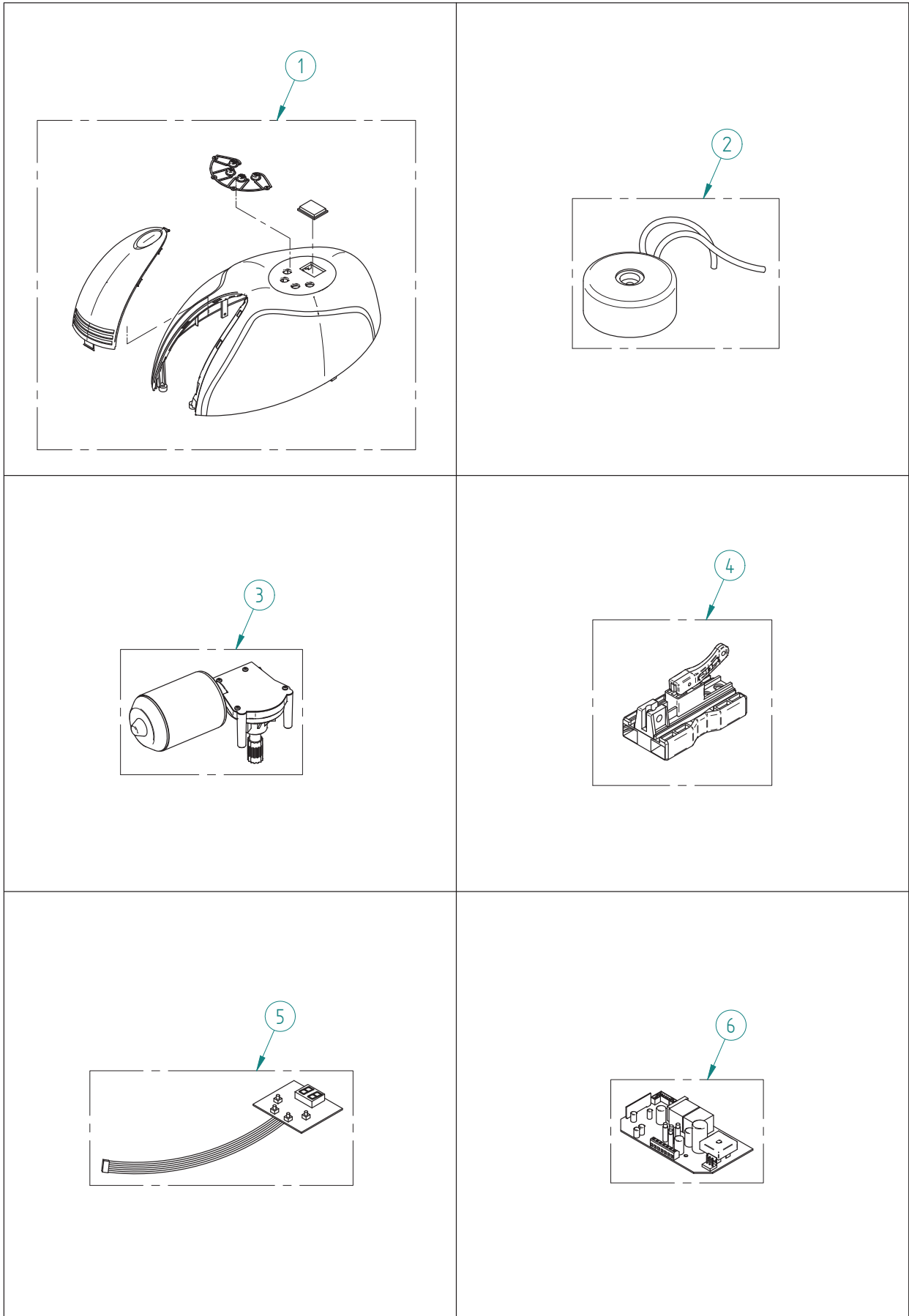


SPACE

Pos.	Code	Description	Minimum Qty	Unit price in Euro
1.1	382570	Base metal sheet for SPACE-SPACE/XL	1	25.00
1.2	382571	Base metal sheet for Space XXL	1	35.00
2.1	382560	24V motor plate for SPACE	1	15.00
2.2	382561	24V motor plate for SPACE/XL	1	25.00
2.3	382562	24V motor plate for Space XXL	1	20.00
3.1	398085	24V motor Ø59 600N for Advance-SPACE 2CH	1	100.00
3.2	398211	24V motor Ø59 800N VIP 2CH	1	100.00
3.3	398220	24V motor Ø63 VIP 120 / Advance XL (LEFT) 2CH	1	120.00
3.4	398181	24V motor filter+enc Ø77 for SPACE XXL 100N	1	200.00
4	130501	External Seeger retaining ring Ø10 UNI 7435-10	30	0.50
5	131717	Copper washer Ø10x16x1.5	15	1.00
6	132615	Hexagon socket countersunk flat head screw zinc plated M6x16 UNI 5933	30	0.50
7	311460	Sintered bush 8X10 DIN 5481	5	5.00
9	163525	Nylon disc NY6 G30 for transformers ØE= 60, Øi=37, Ø cone= 21, hole Ø=7	10	2.00
10.1	162112	Toroidal transformer 80VA 230V/25V (no-load) + thermal switch	1	65.00
10.2	162114	Toroidal transformer 150VA 230V/25V (no-load) + thermal switch	1	85.00
11	131412	Zinc plated Fender washer 5x15x1,2	30	0.50
12	132003	Hexagon socket head cap screw 8.8 zinc plated M5x50 UNI 5931	30	0.50
13	322350	Fuse holder insulating base	10	1.50
14	184036	Fuse holder terminal strip (3 poles)	2	8.00
15.1	168001	Delayed fuse 5x20 1A	5	3.00
15.2	168000	Delayed fuse 5x20 2A	5	3.00
16	134506	Trilobular cap screw zinc chromate plated M3x15 UNI 8112	30	0.50
17	184032	Cable tie SRB-R-6 (black)	30	0.50
18	134832	Spacer for printed circuit board H=9.5	30	0.50
19	131710	Zinc plated toothed washer M4	30	0.50
20	134507	Trilobular cap screw zinc chromate plated M4x12 UNI 8112	30	0.50
22	382580	LED fastening metal sheet for SPACE-SPACE/XL	5	5.00
23	170017	LED module G4 with connector for Advance	1	25.00
24	328090	Motor guard for Spazio SPACE-SPACE/XL (ABS)	1	20.00
25	134503	Trilobular cap screw zinc chromate plated M5x12 UNI 8112	30	0.50
26	321260	Guard window for Spazio SPACE-SPACE/XL, with screen-printed DEA brand	1	15.00
27	132022	Hexagon socket button head screw 8.8 zinc plated M8x16 UNI 5931	30	0.50
28	131503	Zinc plated flat washer Ø8 UNI 6592	30	0.50
29	396530	Black cable 3x1 L=1200mm with schuko plug	1	15.00
30	396580	White cable 1x1 L=170 with heat-shrink sleeve	10	1.50
31	397340	Yellow/green cables unit for Spazio New	5	4.00

TEO 700

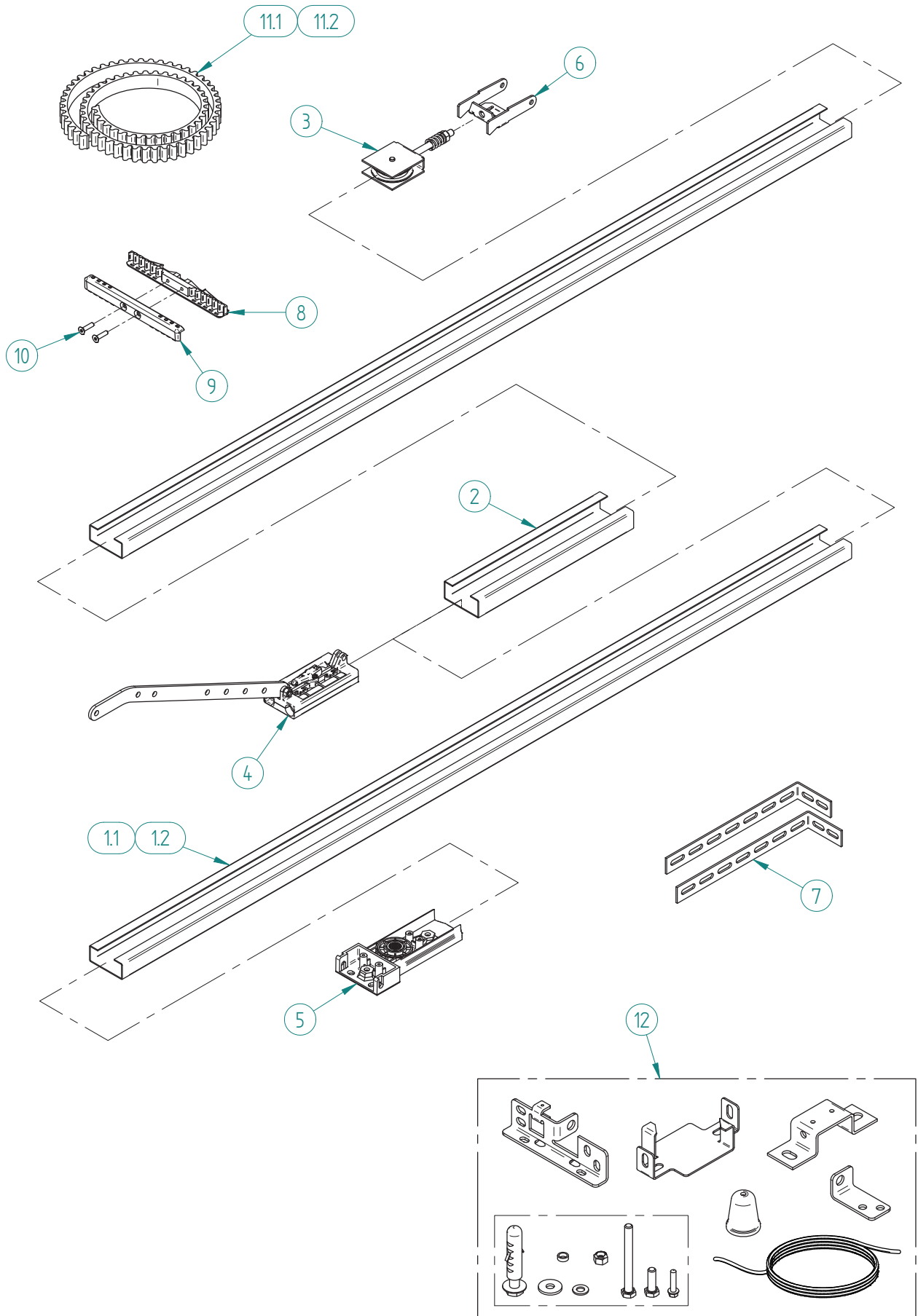
24V



TEO700

Pos.	Code	Description	Minimum Qty	Unit price in Euro
1	936001A	Guard unit complete with window and button panel for TEO700	1	75.00
2	936052F	100W transformer for TEO700	1	85.00
3	936072H	Spare motor for TEO700	1	85.00
4	936161S	Sliding block for TEO700	1	15.00
5	936180U	Digital Baord for TEO700 (display)	1	60.00
6	936181U	Board base for TEO700 (control unit)	1	100.00

STEEL TRACK

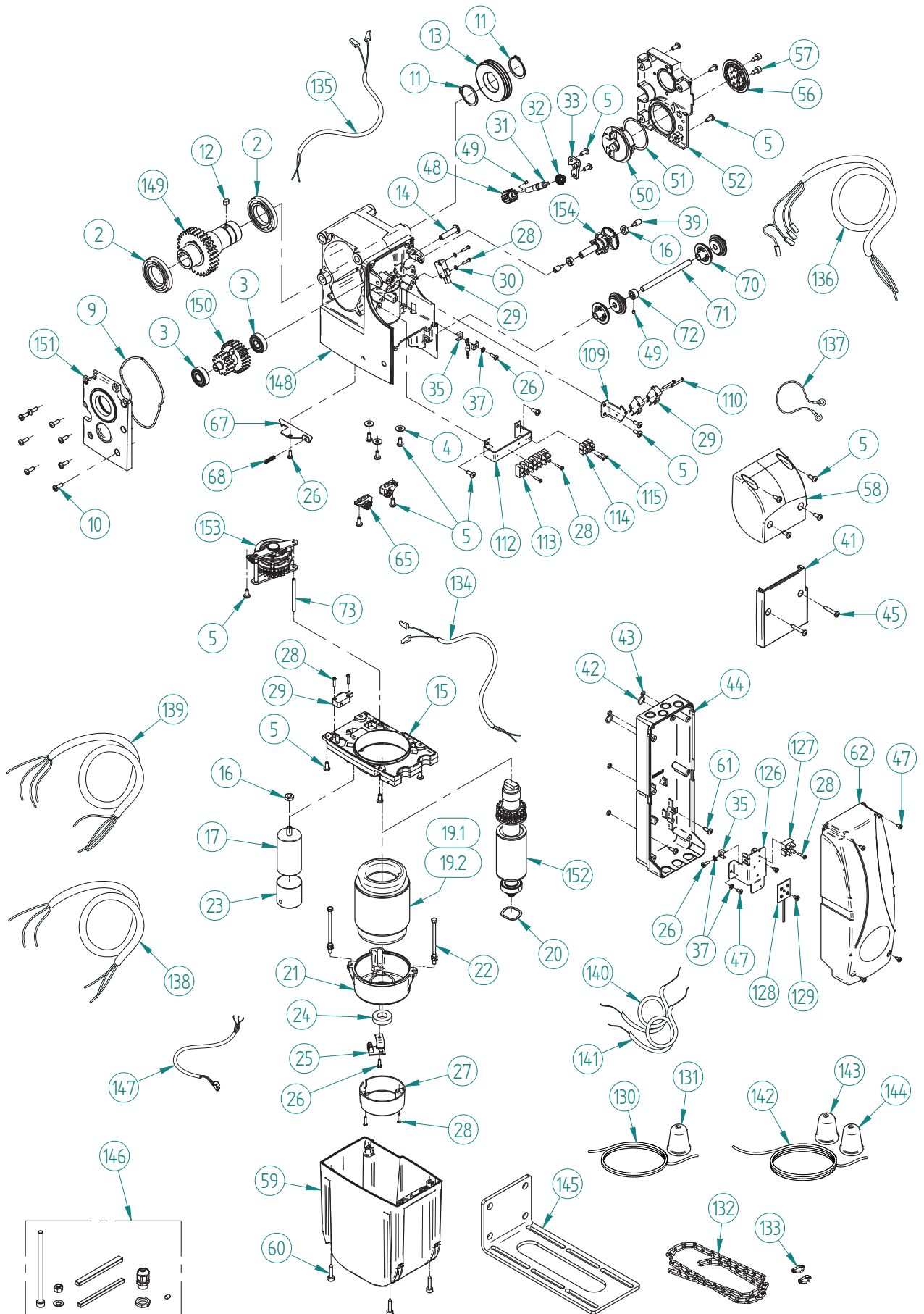


STEEL TRACK

Pos.	Code	Description	Minimum Qty	Unit price in Euro
1.1	382440	Steel rail for AB L=1600mm	1	60.00
1.2	382441	Steel rail for AB L=2000mm	1	60.00
2	382450	Steel junction profile for AB	1	35.00
3	480071	Rail belt tensioner unit for AB	1	25.00
4	485012	Rail sliding block unit for AB	1	50.00
5	485141	Rail motor coupling unit for AB	1	20.00
6	382400	Spring pulling metal sheet	2	8.00
7	382470	L-shaped bracket for bernal rail	1	25.00
8	311430	DEA belt unlocking disk	1	15.00
9	311440	DEA belt locking disk	1	15.00
10	132601	Hexagon socket countersunk flat head screw zinc plated M4x16 UNI 5933	30	0.50
11.1	125030	Toothed belt for AB16	1	60.00
11.2	125031	Toothed belt for AB20	1	65.00
12	430772	Accessories box - belt driven rail	1	40.00

LATO

230V



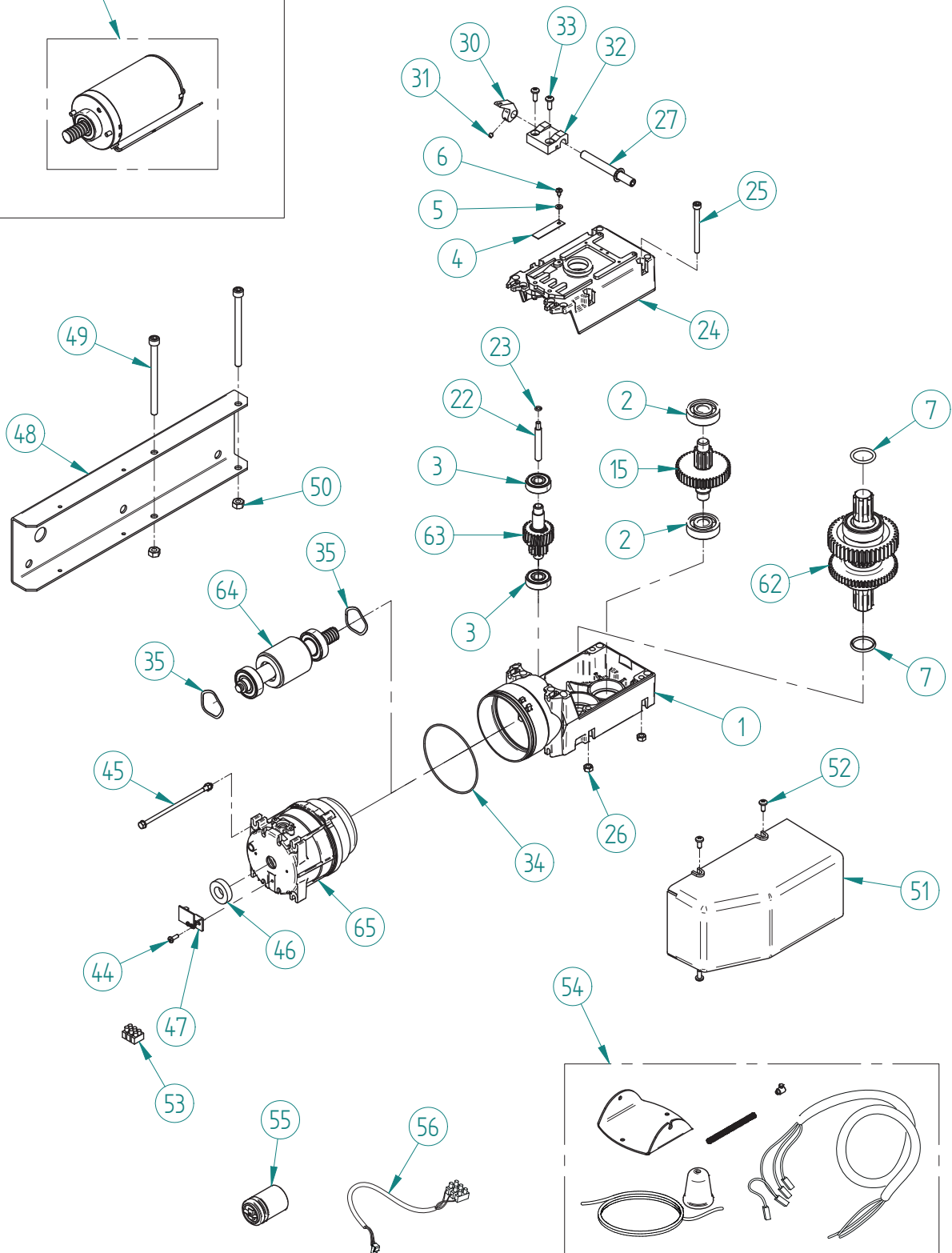
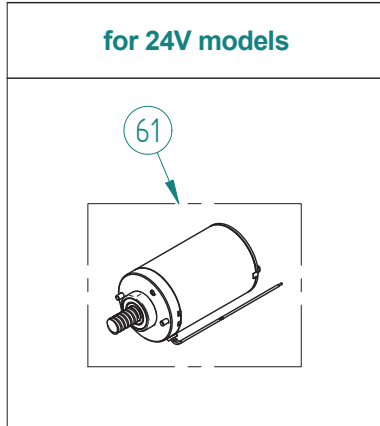
LATO

Pos.	Code	Description	Minimum Qty	Unit price in Euro
153	440150	Winch unit for LATO	1	35.00
151	445190	Gearmotor cover unit for mod. LATO+sealing ring	1	25.00
148	445201	Gearmotor base+sealing rings unit for LATO (series2)	1	115.00
152	450200	Motor shaft unit for LATO	1	85.00
149	460390	Driving shaft+gear unit M=2.5 Z=30	1	70.00
150	460400	Internal unlocking device unit with bronze gear M=2 Z=25 for LATO	1	100.00
154	460420	Cam holding shaft unit for mod.LATO	1	35.00
2	121019	Bearing 16007 2RS (Slow) d=35 D=62 h=19	1	15.00
3	121018	Bearing 6201 2RS (Slow) d=12 D=32 h=10	5	3.00
4	131412	Zinc plated Fender washer 5x15x1,2	30	0.50
5	134503	Trilobular cap screw zinc chromate plated M5x12 UNI 8112	30	0.50
9	156033	NBR O-ring 70 113.97x2.62 TP 3450	10	1.50
10	134504	Trilobular cap screw zinc chromate plated M5x15 UNI 8112	30	0.50
11	130507	External Seeger retaining ring Ø35 UNI 7435-35	15	1.00
12	130202	Key 6x6x10 UNI 6604 A	10	1.50
13	331880	Worm for limit switch Ø=71 M=1.5 for LATO	1	30.00
14	331840	Unlocking pin Ø=15 L=41	1	15.00
15	310830	Stator fastening hood for mod. LATO	1	15.00
16	131101	Zinc plated thin nut M8 UNI 5589	30	0.50
17	162028	Capacitor Aluminium 18µF Ø40x78 faston 6.3mm and bolt connection M8	1	20.00
19.1	393042	Stator 90x50 H80 (two-phase) 4 poles 220V 50Hz for Livi/N 900 kg	1	100.00
19.2	393140	Stator 90x50 H80 (three-phase) 4 poles 400V 50Hz for Lato (Copper base 0.593 Kg)	1	145.00
20	130805	Compensating ring AC 35 34.5x28x0.5 3 waves	15	1.00
21	310660	Upper motor hood for Livi 400 (series2) (die-cast)	1	15.00
22	485062	Motor tie rod unit for Lato	10	1.50
23	162009	Plastic cap for capacitors Ø=40	10	1.50
24	340760	Magnet 2S Øe=31.5 Øi=16 th.=8 no. 6 poles	5	3.00
25	480121	Encoder support metal sheet unit for LATO-502EN-902EN	1	35.00
26	134507	Trilobular cap screw zinc chromate plated M4x12 UNI 8112	30	0.50
27	320470	Encoder cover (plastic, ABS, black)	5	3.00
28	134506	Trilobular cap screw zinc chromate plated M3x15 UNI 8112	30	0.50
29	164016	Micro switch S16 gold contacts 4.8x0.5	5	6.00
30	131500	Zinc plated flat washer Ø3 UNI 6592	30	0.50
31	331890	Limit switch shaft Ø=10 L=63 (zinc plated)	5	3.00
32	321650	Bevel gear in DELRIN M=1 Z=16	5	5.00
33	321540	Block for limit switch shaft fastening	10	1.50
35	380680	Grounding connection plate (zinc plated)	30	0.50
37	131710	Zinc plated toothed washer M4	30	0.50
39	331870	Brass grub screw M8x10 with cylindrical edge	5	4.00
41	328110	Front closing guard for mod.LATO	5	6.00
42	156006	NBR O-ring 70 10.82x1.78 TP 2043	30	0.50
43	156001	NBR O-ring 70 5.28x1.78 TP 104	30	0.50
44	321530	Electric box rear side for mod. LATO	1	25.00
45	134218	Self tapping cap screw zinc chromate plated Ø4.8x32 UNI 6954 National Production	30	0.50
47	134212	Self tapping cap screw zinc chromate plated Ø3.9x9.5 UNI 6954	30	0.50

48	360590	Bronze gear M=1.5 Z=12 \varnothing e=21	1	20.00
49	133005	Flat point grub screw M4x4 UNI 5923	30	0.50
50	321520	Unlocking dome for mod. Lato	5	6.00
51	130914	Shim ring 50.2x57.5x0.3	15	1.00
52	310820	LEFT motor cover for mod. LATO	1	15.00
56	321620	Unlocking dome cover for mod. LATO	5	3.00
57	134105	Self tapping hexagon socket head cap screw zinc plated \varnothing 5.5x13	30	0.50
58	328120	Limit switch covering guard for mod. LATO	2	10.00
59	328130	Motor covering guard for mod. LATO	1	35.00
60	134100	Self tapping hexagon socket head cap screw zinc plated \varnothing 4.8x25	30	0.50
61	134221	Self tapping cap screw zinc chromate plated \varnothing 4.8x16 UNI 6954	30	0.50
62	321660	Electric box cover for mod. LATO	1	15.00
65	321640	Chain guide for mod. LATO	5	6.00
67	381540	Metal sheet 79x27.5 for winch fastening (zinc plated) for LATO	10	2.00
68	370050	Spring \varnothing e=5.5 L=20 \varnothing wire=0.8 turns=5 not milled	15	1.00
70	321630	Pulley for chain \varnothing =38 H=19.8	5	4.00
71	331780	Pin for pulleys \varnothing =8 L=111 (zinc plated)	10	2.00
72	340860	Spacer \varnothing e=15 \varnothing i=8.2 L=8.7 (zinc plated)	10	2.00
73	331800	Winch hinge pin \varnothing =5 L=65 (zinc plated)	10	1.50
109	381530	Micro-switches support bracket 42.38x30x18 (zinc plated)	10	2.00
110	134511	Trilobular cap screw zinc chromate plated M3x25 UNI 8112	30	0.50
112	381520	Terminal strip support bracket 86x26x28 (zinc plated)	5	4.00
113	184028	Terminal strip (Nylon, white, 110°, 7 poles)	5	4.00
114	184047	Terminal strip (Nylon, white, 110°, 3 poles, \varnothing wire 2.5mm)	10	1.50
115	134202	Self tapping cap screw zinc chromate plated \varnothing 2.2x13 UNI 6954	30	0.50
126	381490	Omega for lamp holder \varnothing =28 H=35 LATO series	5	4.00
127	184020	Terminal strip (Nylon, white, 110°, 2 poles)	10	1.50
128	170021	LED module without plastic cover	1	20.00
129	134509	Trilobular cap screw zinc chromate plated M4x6 UNI 8112	30	0.50
130	134850	Rope with central core f.16 polyester L.T. \varnothing =3.3 L=4000mm	1	20.00
131	321300	Handle for unlocking cable (grey)	10	1.50
132	125019	Zinc plated Genoese chain no. 15 (16.2x6.2x2.4) L=7000mm	1	25.00
133	125021	Chain joint DIN 766 type \varnothing 3mm	15	1.00
134	396830	Black cable 2x0.5 L=430 with faston	5	4.00
135	396760	Black cable 2x0.5 L=250mm with faston	5	4.00
136	396121	Black cable 3x0.5 L=250mm+faston	2	8.00
137	396750	Yellow/green cable 1x1.5 L=300mm with eyelets	5	4.00
138	396770	Black cable 3x1 L=310mm	2	8.00
139	396780	Grey cable 4x0.5 L=385mm	5	4.00
140	396310	Brown cable 1x1.5 L=200mm	15	1.00
141	396320	Blue cable 1x1.5 L=200mm	15	1.00
142	134851	Rope with central core f.16 polyester L.T. \varnothing =3.3 L=9000mm	1	30.00
143	321301	Handle for unlocking cable (red)	10	1.50
144	321302	Handle for unlocking cable (green)	10	1.50
145	386590	Motor fastening bracket for LATO 100x110 L=170 (zinc plated)	1	30.00
146	430630	Accessories small bag for LATO	1	35.00
147	396730	Encoder connection cable for LATO L=390mm	1	20.00

LIVI 550PL

24V - 230V

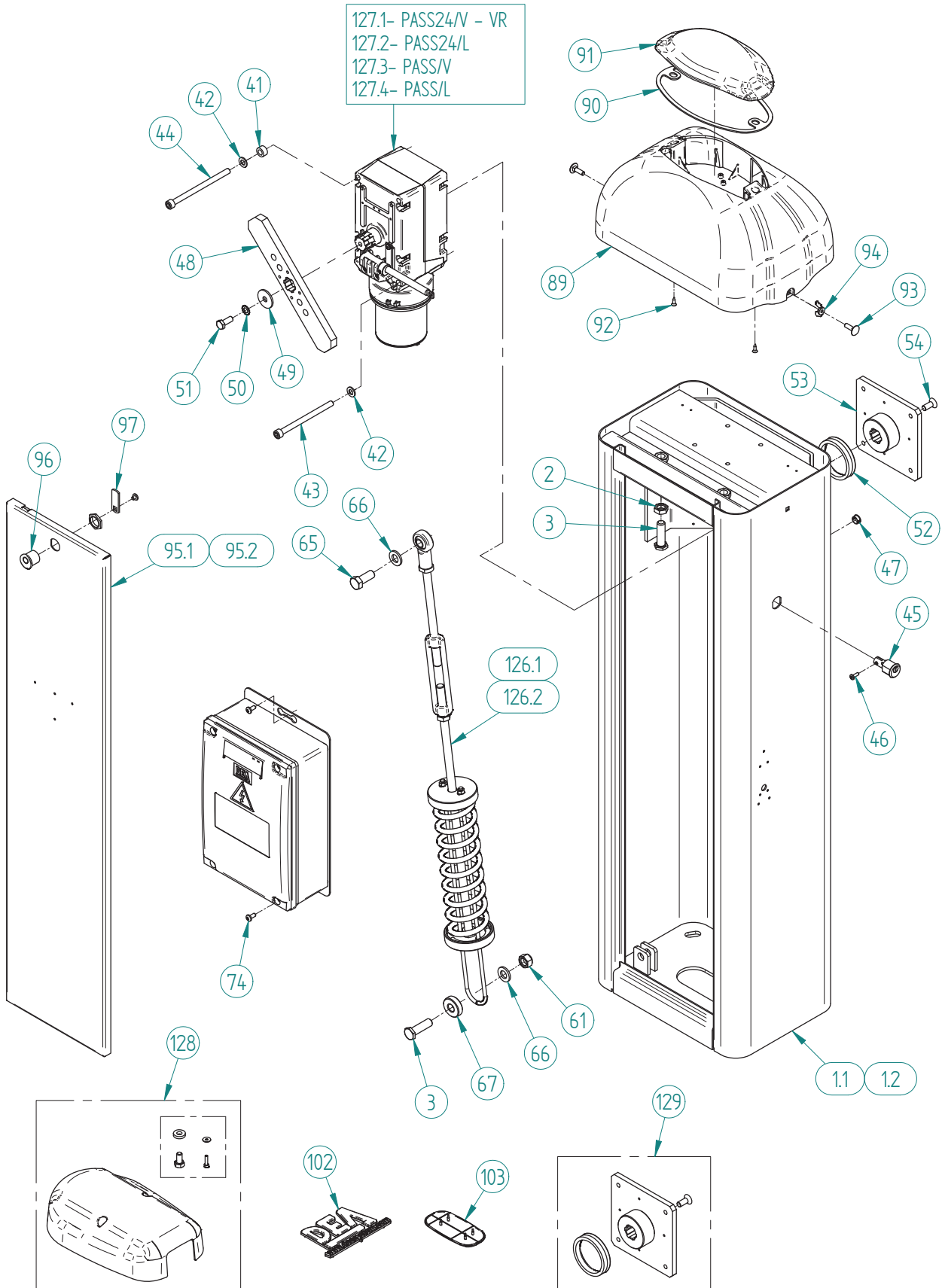


LIVI 550PL

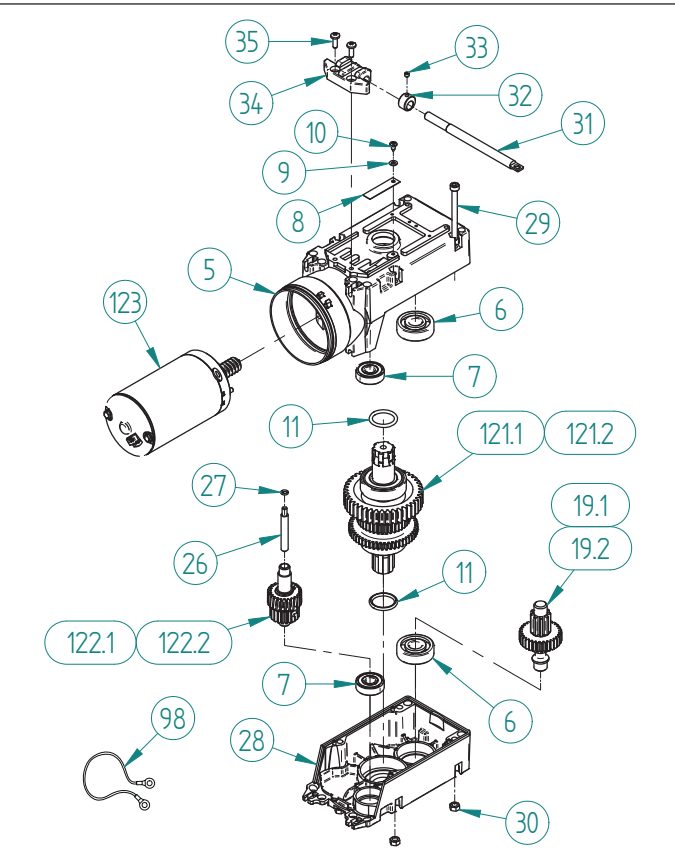
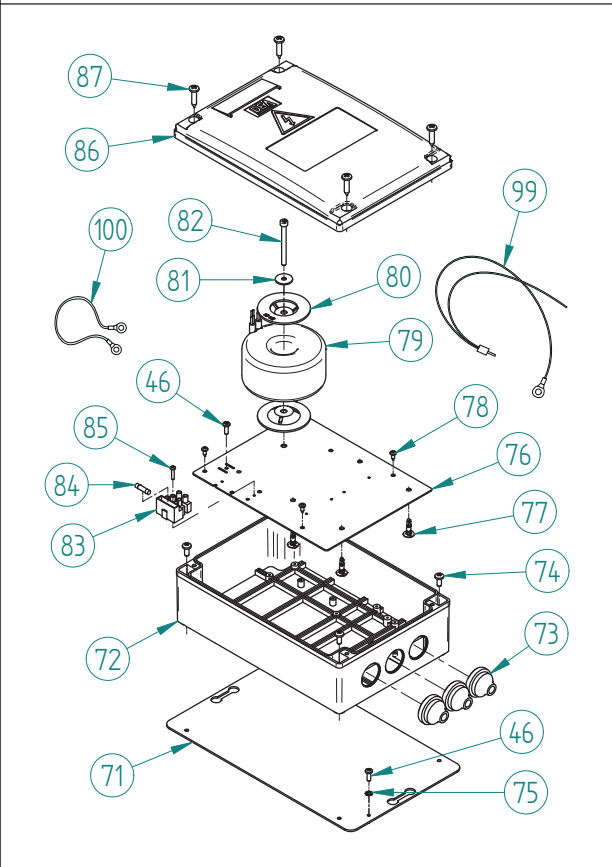
Pos.	Code	Description	Minimum Qty	Unit price in Euro
64	450160	Motor shaft unit for Pass 230	1	60.00
63	460120	Int. unlocking device unit with gear M=1.5 Z=24 $\phi_e=38.5$ for Livi 500-900	1	60.00
62	460133	Shaft unit with 2 grooved parts for Livi 900	1	100.00
65	470300	Motor hood for Livi 900 (series3)+ 4-pole stator unit	1	100.00
61	470403	24V motor unit for Livi 500/900/Pass V2	1	145.00
1	310610	Upper hood for Livi 500-900 (series3)	1	25.00
2	121014	Bearing 6302 ZZ (Slow) d=15 D=42 h=13	3	5.00
3	121004	Bearing 6201 ZZ (Slow) d=12 D=32 h=10	5	3.00
4	350011	Unlocking device blade 11.5x48 th.=0.5	15	1.00
5	131501	Zinc plated flat washer $\phi 4$ UNI 6592	30	0.50
6	134215	Self tapping cap screw zinc chromate plated $\phi 4.2 \times 6.5$ UNI 6954	30	0.50
7	156028	NBR O-ring 70 24.99x3.53 TP 4100	30	0.50
15	330590	Shaft M=2 Z=9 with gear M=1.5 Z=44	1	35.00
22	330280	Unlocking device shaft $\phi=8$ L=59	15	1.00
23	156001	NBR O-ring 70 5.28x1.78 TP 104	30	0.50
24	310601	Lower hood for Livi 500-900 (series2)	1	35.00
25	132088	Hexagon socket head cap screw 8.8 zinc plated M6x70 partially threaded UNI 5931	15	1.00
26	131306	Zinc plated thick nut M6 UNI 5587	30	0.50
27	480452	Unlocking lever unit for Livi 900 Gigor	1	15.00
30	340331	Lever eccentric (zinc plated)	1	35.00
31	133500	Cone point grub screw M5x6 UNI 5927	30	0.50
32	310240	Release block (aluminium) for Livi 500-900 (series1)	5	6.00
33	134504	Trilobular cap screw zinc chromate plated M5x15 UNI 8112	30	0.50
34	156020	NBR O-ring 70 SH 82.27x1.78 TP 2325	15	1.00
35	130801	Compensating ring AC 40	15	1.00
44	134507	Trilobular cap screw zinc chromate plated M4x12 UNI 8112	30	0.50
45	485050	Motor tie rod unit for Livi 500-900 (series3)	10	1.50
46	340760	Magnet 2S $\phi_e=31.5$ $\phi_i=16$ th.=8 no. 6 poles	5	3.00
47	480121	Encoder support metal sheet unit for LATO-502EN-902EN	1	35.00
48	381430	Motor support plate 102x36 L=398.5	1	45.00
49	132090	Hexagon socket head cap screw 8.8 zinc plated M8x110 partially threaded UNI 5931	5	3.00
50	131002	Zinc plated standard nut M8 UNI 5588	30	0.50
51	328056	Motor guard for Livi 550PL closed (ABS, RAL 7001, MACHINED)	1	15.00
52	134503	Trilobular cap screw zinc chromate plated M5x12 UNI 8112	30	0.50
53	184047	Terminal strip (Nylon, white, 110°, 3 poles, ϕ_{wire} 2.5mm)	10	1.50
54	430560	Accessories small bag - 550PL	1	55.00
55	162021	Capacitor Aluminium P2 8 μ F $\phi 35 \times 69$ with wires L=200	1	15.00
56	470520	Encoder cable unit with terminal strip (3p)	1	20.00

PASS

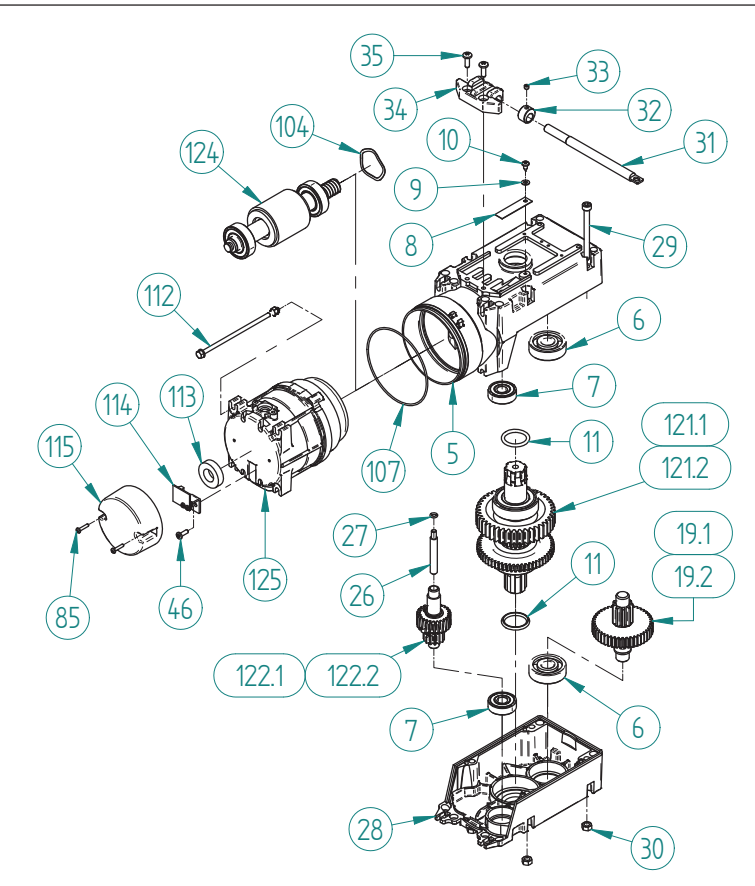
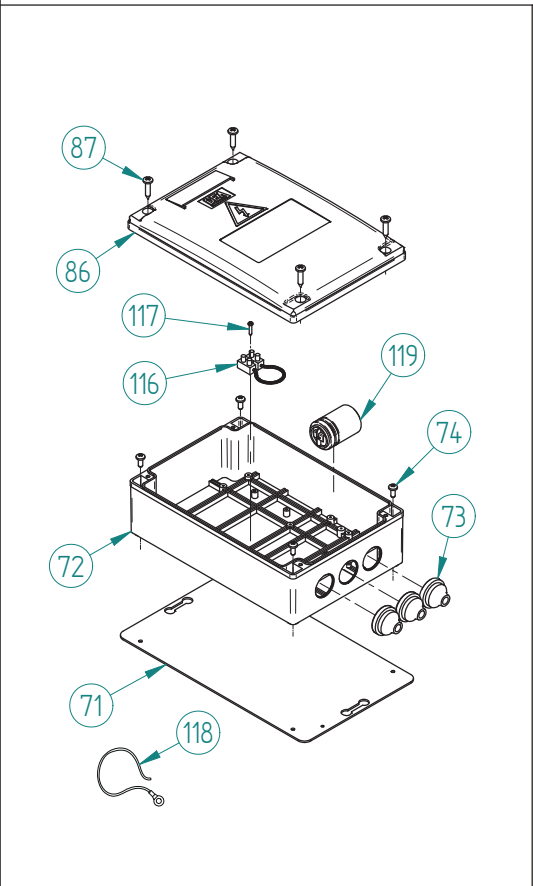
24V - 230V



for 24V models



for 230V models



PASS

Pos.	Code	Description	Minimum Qty	Unit price in Euro
126.1	460640	Spring unit for Pass (series2) Ø8mm	1	115.00
126.2	460641	Spring unit for Pass (series2) Ø10mm	1	125.00
129	944161Q	Rod holder unit for PASS series 2	1	100.00
127.1 490473 Gearmotor unit for Pass 24V (series2) FAST WITH ENCODER				
5	310610	Upper hood for Livi 500-900 (series3)	1	25.00
6	121014	Bearing 6302 ZZ (Slow) d=15 D=42 h=13	3	5.00
7	121004	Bearing 6201 ZZ (Slow) d=12 D=32 h=10	5	3.00
8	350011	Unlocking device blade 11.5x48 th.=0.5	15	1.00
9	131501	Zinc plated flat washer Ø4 UNI 6592	30	0.50
10	134215	Self tapping cap screw zinc chromate plated Ø4.2x6.5 UNI 6954	30	0.50
11	156028	NBR O-ring 70 24.99x3.53 TP 4100	30	0.50
19.1	330591	Shaft M=2 Z=9 with gear M=1.5 Z=30	1	40.00
26	330280	Unlocking device shaft Ø=8 L=59	15	1.00
27	156001	NBR O-ring 70 5.28x1.78 TP 104	30	0.50
28	310601	Lower hood for Livi 500-900 (series2)	1	35.00
29	132088	Hexagon socket head cap screw 8.8 zinc plated M6x70 partially threaded UNI 5931	15	1.00
30	131306	Zinc plated thick nut M6 UNI 5587	30	0.50
31	332140	Unlocking rod for Pass (series2)	1	20.00
32	340330	Unlocking device eccentric Ø=18 (zinc plated)	5	6.00
33	133500	Cone point grub screw M5x6 UNI 5927	30	0.50
34	310350	Release block for Livi 500-900 (series2) (die-cast)	5	5.00
35	134504	Trilobular cap screw zinc chromate plated M5x15 UNI 8112	30	0.50
98	397030	Yellow-green cable 1x1.5 L=800mm	5	3.00
121.1	460138	Grooved shaft unit for Pass (series2) FAST	1	130.00
122.1	460120	Int. unlocking device unit with gear M=1.5 Z=24 øe=38.5 for Livi 500-900	1	60.00
123	470402	24V motor unit for Livi 500/900/Pass V2 with encoder	1	175.00
127.2 490474 Gearmotor unit for Pass 24V (series2) SLOW WITH ENCODER				
5	310610	Upper hood for Livi 500-900 (series3)	1	25.00
6	121014	Bearing 6302 ZZ (Slow) d=15 D=42 h=13	3	5.00
7	121004	Bearing 6201 ZZ (Slow) d=12 D=32 h=10	5	3.00
8	350011	Unlocking device blade 11.5x48 th.=0.5	15	1.00
9	131501	Zinc plated flat washer Ø4 UNI 6592	30	0.50
10	134215	Self tapping cap screw zinc chromate plated Ø4.2x6.5 UNI 6954	30	0.50
11	156028	NBR O-ring 70 24.99x3.53 TP 4100	30	0.50
19.2	330590	Shaft M=2 Z=9 with gear M=1.5 Z=44	1	35.00
26	330280	Unlocking device shaft Ø=8 L=59	15	1.00
27	156001	NBR O-ring 70 5.28x1.78 TP 104	30	0.50
28	310601	Lower hood for Livi 500-900 (series2)	1	35.00
29	132088	Hexagon socket head cap screw 8.8 zinc plated M6x70 partially threaded UNI 5931	15	1.00
30	131306	Zinc plated thick nut M6 UNI 5587	30	0.50
31	332140	Unlocking rod for Pass (series2)	1	20.00
32	340330	Unlocking device eccentric Ø=18 (zinc plated)	5	6.00
33	133500	Cone point grub screw M5x6 UNI 5927	30	0.50
34	310350	Release block for Livi 500-900 (series2) (die-cast)	5	5.00

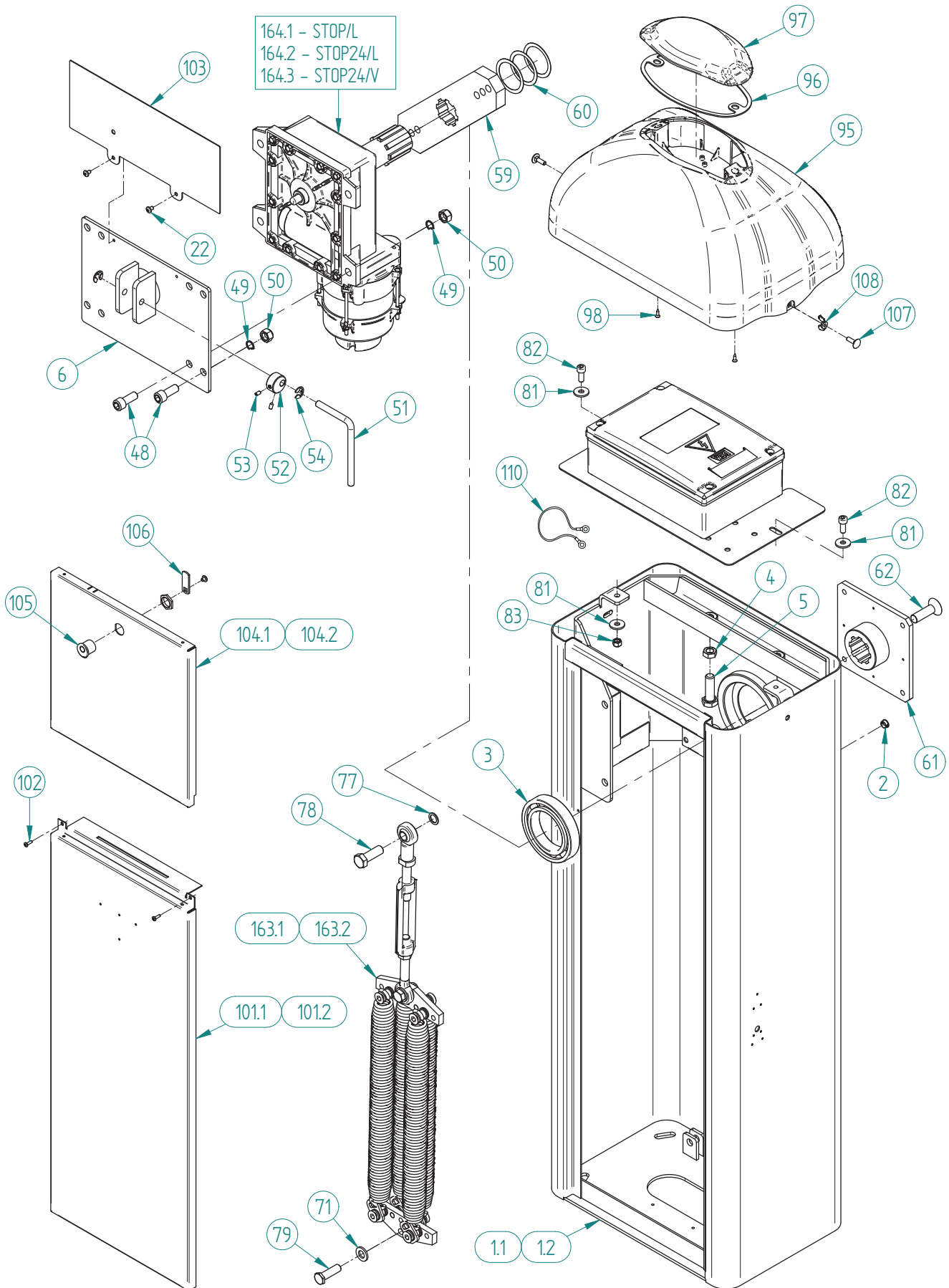
35	134504	Trilobular cap screw zinc chromate plated M5x15 UNI 8112	30	0.50
98	397030	Yellow-green cable 1x1.5 L=800mm	5	3.00
121.2	460139	Grooved shaft unit for Pass (series2) SLOW	1	120.00
122.2	460122	Int. unlocking device unit with gear M=1.5 Z=24 $\phi_e=38.5$ for Pass	1	60.00
123	470402	24V motor unit for Livi 500/900/Pass V2 with encoder	1	175.00
127.3 490341 Gearmotor unit for Pass 230V (series2) FAST				
5	310601	Lower hood for Livi 500-900 (series2)	1	35.00
6	121014	Bearing 6302 ZZ (Slow) d=15 D=42 h=13	3	5.00
7	121004	Bearing 6201 ZZ (Slow) d=12 D=32 h=10	5	3.00
8	350011	Unlocking device blade 11.5x48 th.=0.5	15	1.00
9	131501	Zinc plated flat washer $\phi 4$ UNI 6592	30	0.50
10	134215	Self tapping cap screw zinc chromate plated $\phi 4.2 \times 6.5$ UNI 6954	30	0.50
11	156028	NBR O-ring 70 24.99x3.53 TP 4100	30	0.50
19.1	330591	Shaft M=2 Z=9 with gear M=1.5 Z=30	1	40.00
26	330280	Unlocking device shaft $\phi=8$ L=59	15	1.00
27	156001	NBR O-ring 70 5.28x1.78 TP 104	30	0.50
28	310610	Upper hood for Livi 500-900 (series3)	1	25.00
29	132088	Hexagon socket head cap screw 8.8 zinc plated M6x70 partially threaded UNI 5931	15	1.00
30	131306	Zinc plated thick nut M6 UNI 5587	30	0.50
31	332140	Unlocking rod for Pass (series2)	1	20.00
32	340330	Unlocking device eccentric $\phi=18$ (zinc plated)	5	6.00
33	133500	Cone point grub screw M5x6 UNI 5927	30	0.50
34	310350	Release block for Livi 500-900 (series2) (die-cast)	5	5.00
35	134504	Trilobular cap screw zinc chromate plated M5x15 UNI 8112	30	0.50
46	134507	Trilobular cap screw zinc chromate plated M4x12 UNI 8112	30	0.50
85	134506	Trilobular cap screw zinc chromate plated M3x15 UNI 8112	30	0.50
104	130801	Compensating ring AC 40	15	1.00
107	156020	NBR O-ring 70 SH 82.27x1.78 TP 2325	15	1.00
112	485050	Motor tie rod unit for Livi 500-900 (series3)	10	1.50
113	340760	Magnet 2S $\phi_e=31.5$ $\phi_i=16$ th.=8 no. 6 poles	5	3.00
114	480122	Encoder support metal sheet unit for Gulliver-Stop-Pass	1	40.00
115	320470	Encoder cover (plastic, ABS, black)	5	3.00
121.1	460138	Grooved shaft unit for Pass (series2) FAST	1	130.00
122.1	460120	Int. unlocking device unit with gear M=1.5 Z=24 $\phi_e=38.5$ for Livi 500-900	1	60.00
124	450160	Motor shaft unit for Pass 230	1	60.00
125	470302	Motor hood for Livi 500 (series3)+4-pole stator unit	1	110.00
127.4 490342 Gearmotor unit for Pass 230V (series2) SLOW				
5	310601	Lower hood for Livi 500-900 (series2)	1	35.00
6	121014	Bearing 6302 ZZ (Slow) d=15 D=42 h=13	3	5.00
7	121004	Bearing 6201 ZZ (Slow) d=12 D=32 h=10	5	3.00
8	350011	Unlocking device blade 11.5x48 th.=0.5	15	1.00
9	131501	Zinc plated flat washer $\phi 4$ UNI 6592	30	0.50
10	134215	Self tapping cap screw zinc chromate plated $\phi 4.2 \times 6.5$ UNI 6954	30	0.50
11	156028	NBR O-ring 70 24.99x3.53 TP 4100	30	0.50
19.2	330590	Shaft M=2 Z=9 with gear M=1.5 Z=44	1	35.00
26	330280	Unlocking device shaft $\phi=8$ L=59	15	1.00
27	156001	NBR O-ring 70 5.28x1.78 TP 104	30	0.50
28	310610	Upper hood for Livi 500-900 (series3)	1	25.00

29	132088	Hexagon socket head cap screw 8.8 zinc plated M6x70 partially threaded UNI 5931	15	1.00
30	131306	Zinc plated thick nut M6 UNI 5587	30	0.50
31	332140	Unlocking rod for Pass (series2)	1	20.00
32	340330	Unlocking device eccentric $\phi=18$ (zinc plated)	5	6.00
33	133500	Cone point grub screw M5x6 UNI 5927	30	0.50
34	310350	Release block for Livi 500-900 (series2) (die-cast)	5	5.00
35	134504	Trilobular cap screw zinc chromate plated M5x15 UNI 8112	30	0.50
46	134507	Trilobular cap screw zinc chromate plated M4x12 UNI 8112	30	0.50
85	134506	Trilobular cap screw zinc chromate plated M3x15 UNI 8112	30	0.50
104	130801	Compensating ring AC 40	15	1.00
107	156020	NBR O-ring 70 SH 82.27x1.78 TP 2325	15	1.00
112	485050	Motor tie rod unit for Livi 500-900 (series3)	10	1.50
113	340760	Magnet 2S $\phi_e=31.5$ $\phi_i=16$ th.=8 no. 6 poles	5	3.00
114	480122	Encoder support metal sheet unit for Gulliver-Stop-Pass	1	40.00
115	320470	Encoder cover (plastic, ABS, black)	5	3.00
121.2	460139	Grooved shaft unit for Pass (series2) SLOW	1	120.00
122.2	460122	Int. unlocking device unit with gear M=1.5 Z=24 $\phi_e=38.5$ for Pass	1	60.00
124	450160	Motor shaft unit for Pass 230	1	60.00
125	470302	Motor hood for Livi 500 (series3)+4-pole stator unit	1	110.00
1.1	386690	Case for Pass (series2) (varnished)	1	425.00
1.2	386691	Case for Pass (series2) (STAINLESS STEEL, varnished)	1	985.00
2	131102	Zinc plated thin nut M12 UNI 5589	30	0.50
3	132214	Hexagon head screw 8.8 zinc plated M12x40 UNI 5739	10	1.50
41	341110	Motor spacer for Pass $\phi_e=15$ $\phi_i=8.5$ L=8 (zinc plated)	2	10.00
42	131503	Zinc plated flat washer $\phi 8$ UNI 6592	30	0.50
43	132090	Hexagon socket head cap screw 8.8 zinc plated M8x110 partially threaded UNI 5931	5	3.00
44	132085	Hexagon socket head cap screw 8.8 zinc plated M8x120 partially threaded UNI 5931	5	3.00
45	136031	Camlock for Pass (series 2)	1	35.00
46	134507	Trilobular cap screw zinc chromate plated M4x12 UNI 8112	30	0.50
47	134864	Cap $\phi 13.5$ L=4.8 for hole $\phi 11.9$	15	1.00
48	350550	Lever for rod holder for Pass (series2)	1	75.00
49	131403	Zinc plated Fender washer $\phi 8 \times 32 \times 2.5$	30	0.50
50	131709	Zinc plated toothed washer M8	30	0.50
51	132204	Hexagon head screw 8.8 zinc plated M8x20 UNI 5739	30	0.50
52	157017	V-ring VA50-55	10	2.00
53	386722	Rod holding plate for Pass (series2) V3	1	100.00
54	132602	Hexagon socket countersunk flat head screw zinc plated M8x20 UNI 5933	30	0.50
61	131252	Zinc plated thin self-locking nut M12 UNI 7474	15	1.00
65	132213	Hexagon head screw 8.8 zinc plated M12x30 UNI 5739	10	1.50
66	131505	Zinc plated flat washer $\phi 12$ UNI 6592	30	0.50
67	341080	Bush coupled to spring tie rod for Pass (series2)	1	15.00
71	381860	Board holding metal sheet (removable, zinc plated) for Pass (series2)	1	50.00
72	320101	ABS self-extinguishing panel support box (V0 grey, 3 holes)	1	30.00
73	184061	Rubber cable grommet PG 21	5	4.00
74	134503	Trilobular cap screw zinc chromate plated M5x12 UNI 8112	30	0.50
75	131710	Zinc plated toothed washer M4	30	0.50
76	381930	Support for control unit NET series for Pass - Stop series2	1	30.00
77	134874	Quick dual locking spacers (hole 4.0/5.4)	15	1.00
78	134210	Self tapping cap screw zinc chromate plated $\phi 3.5 \times 9.5$ UNI 6954	30	0.50

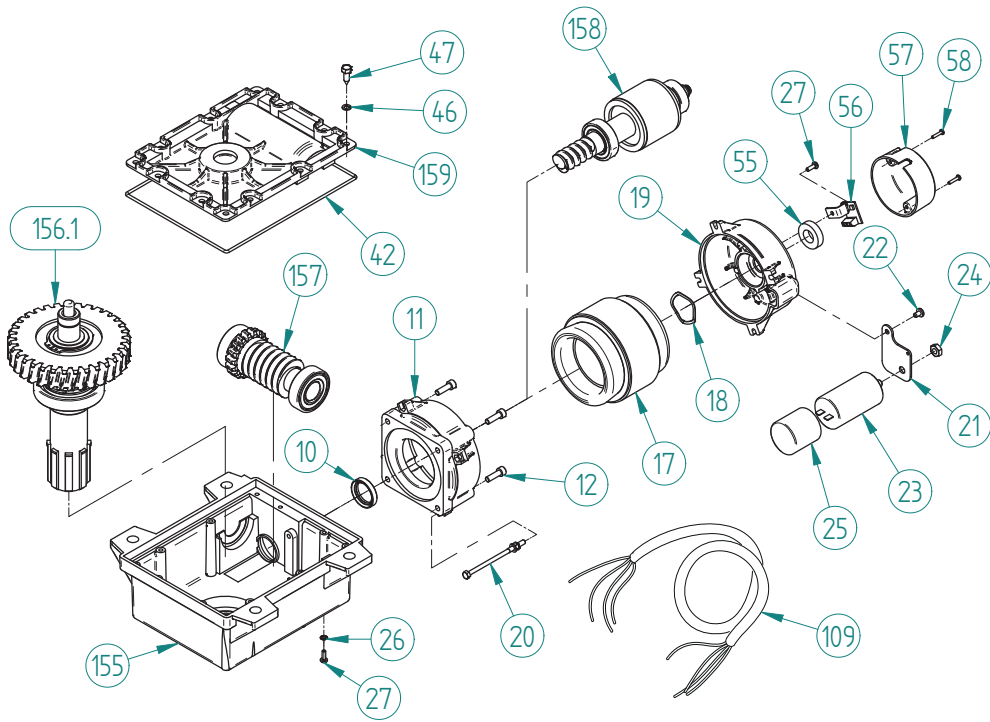
79	162101	Toroidal transformer 150VA 230V/22V (no-load) + thermal switch	1	85.00
80	163525	Nylon disc NY6 G30 for transformers $\varnothing E=60$, $\varnothing i=37$, \varnothing cone= 21, hole $\varnothing=7$	10	2.00
81	131406	Zinc plated Fender washer $\varnothing 5 \times 20 \times 1.5$	30	0.50
82	132021	Hexagon socket button head screw 8.8 zinc plated M5x55 UNI 5931	15	1.00
83	184036	Fuse holder terminal strip (3 poles)	2	8.00
84	168000	Delayed fuse 5x20 2A	5	3.00
85	134506	Trilobular cap screw zinc chromate plated M3x15 UNI 8112	30	0.50
86	320110	ABS self-extinguishing lower cover with DEA brand (V0 grey)	1	15.00
87	134216	Self tapping cap screw zinc chromate plated $\varnothing 5.5 \times 25$ UNI 6954	30	0.50
89	328150	Guard for Pass (Varnished)	1	60.00
90	322160	Flashing indicator cover gasket for PASS/STOP (series2)	5	3.00
91	322030	Flashing indicator cover for Pass/Stop	2	10.00
92	134405	Self tapping flat countersunk head screw zinc chromate plated $\varnothing 3.5 \times 13$ UNI 6955	30	0.50
93	132900	Round head square neck screw zinc plated M6x20 UNI 5731	30	0.50
94	131302	Zinc plated wing nut M6 UNI 5448	30	0.50
95.1	386700	Door for Pass (series2) (varnished)	1	90.00
95.2	386701	Door for Pass (series2) (STAINLESS STEEL, varnished)	1	180.00
96	136000	Nickel plated universal lock mm 17.5 CIFR.01 + key	1	20.00
97	136014	Small lever for universal lock L=40mm	10	2.00
99	397184	Yellow-green cable, double, with wire end ferrule and eyelet for Stop e Pass	5	5.00
100	396750	Yellow/green cable 1x1.5 L=300mm with eyelets	5	4.00
102	322070	DEA brand	5	4.00
103	322060	Photocell cover for Pass/Stop	5	3.00
116	470340	Terminal strip (2 poles) + yellow-green cable unit	5	4.00
117	134206	Self tapping cap screw zinc chromate plated $\varnothing 2.9 \times 16$ UNI 6954	30	0.50
118	397150	Yellow-green cable 1x1.5 L=250 with 1 eyelet $\varnothing 4$ for 200/24 and Geko	5	3.00
119	162021	Capacitor Aluminium P2 8 μ F $\varnothing 35 \times 69$ with wires L=200	1	15.00
128	430700	Accessories small bag for Pass	1	30.00

STOP

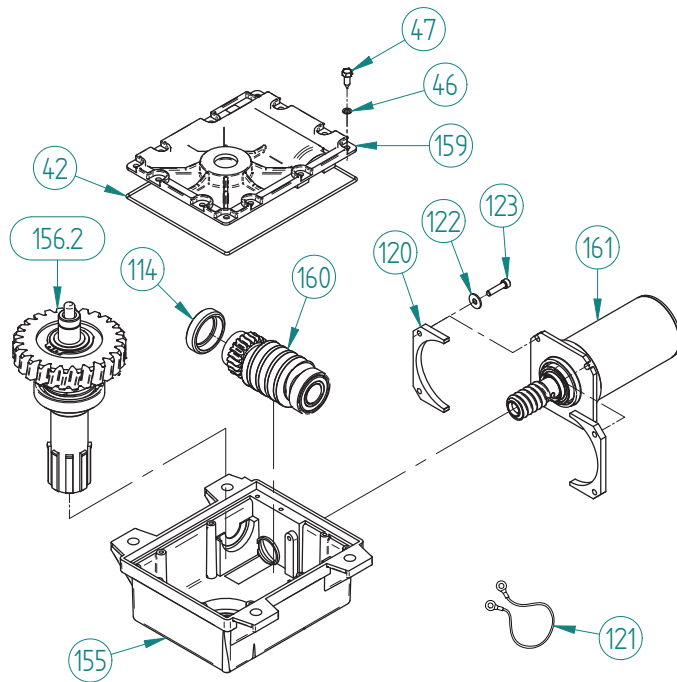
24V - 230V



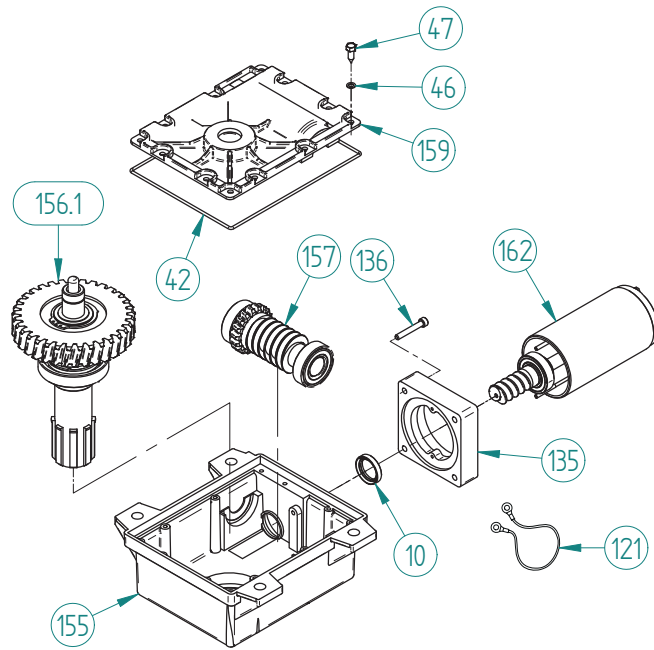
for 230V models



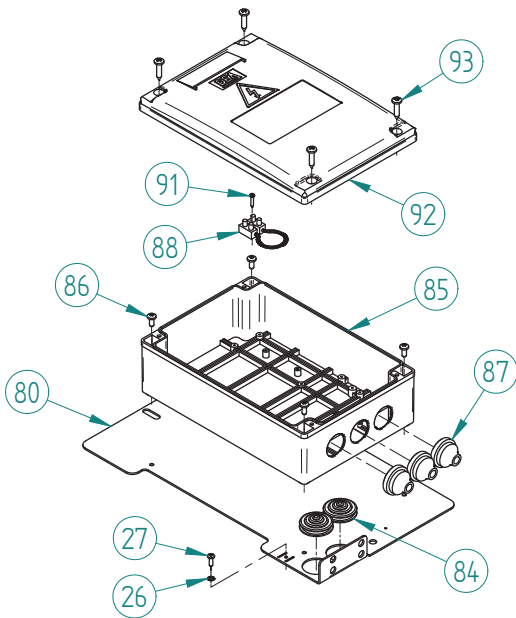
for 24V models (STOP24/V)



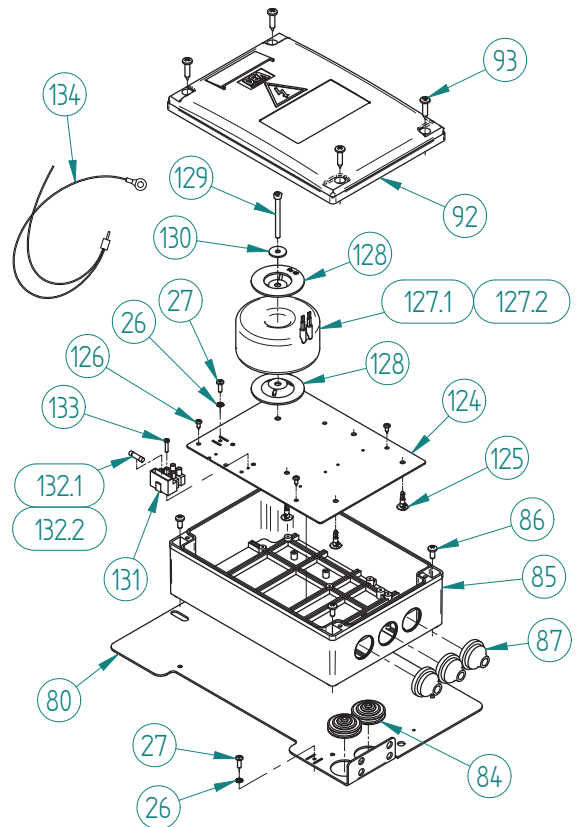
for 24V models (STOP24/L)

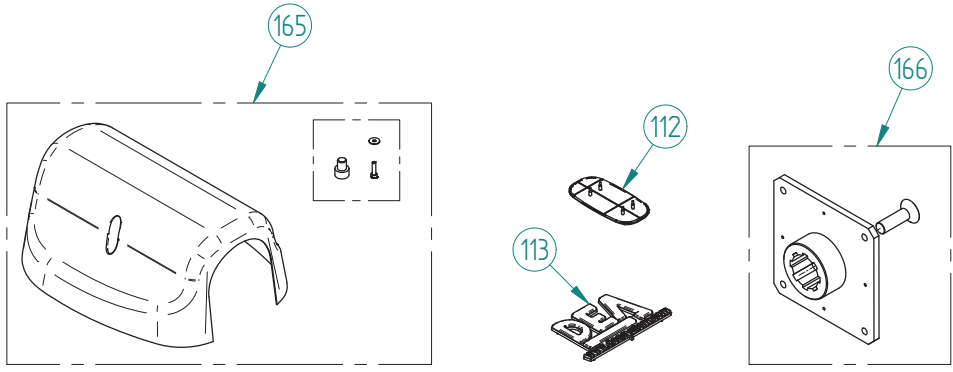


for 230V models

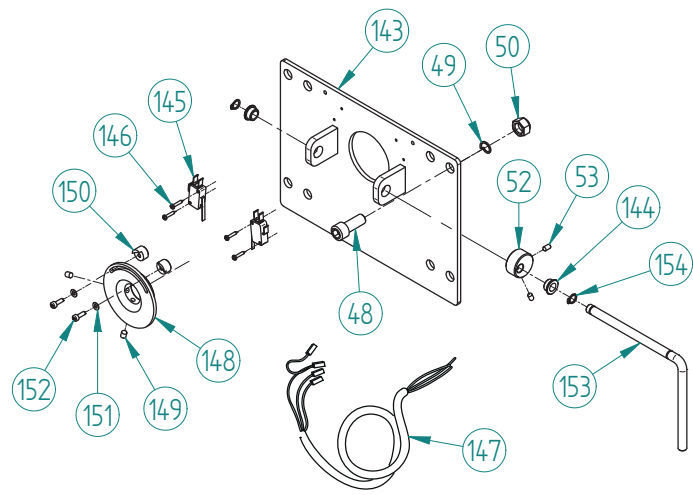


for 24V models





for models with limit switches



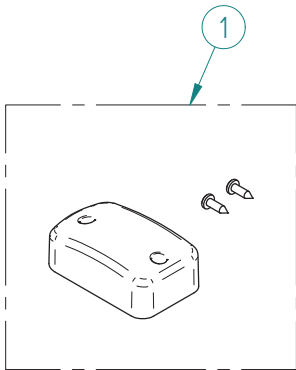
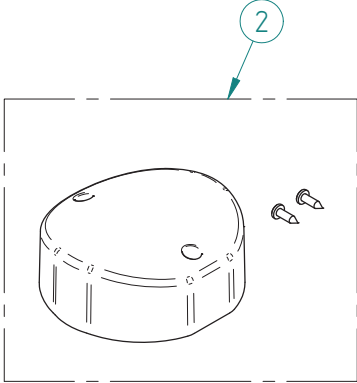
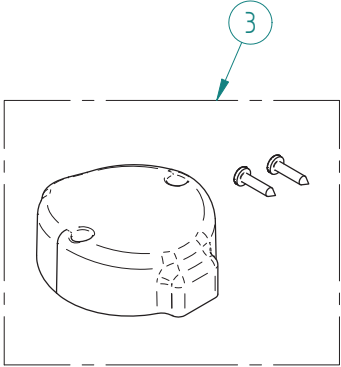
STOP 230V - 24V

Pos.	Code	Description	Minimum Qty	Unit price in Euro
163.1	460650	Spring unit for Stop (series2) FAST 4mt	1	170.00
163.2	460651	Spring unit for Stop (series2) SLOW 6mt	1	240.00
166	945090J	Rod holder unit for STOP series 2	1	100.00
164.1 490531 Gearmotor unit for Stop 230 Slow				
10	157002	Sealing ring SC 25x35x7	5	3.00
11	311150	Lower motor flange for Stop	1	20.00
12	132005	Hexagon socket head cap screw 8.8 zinc plated M6x20 UNI 5931	30	0.50
17	393092	Stator 110x66 H50 (two-phase) 4 poles 230V 50hz for rev-stop v2, machined (Copper base 0.68 Kg)	1	120.00
18	130801	Compensating ring AC 40	15	1.00
19	311130	Upper motor hood for REV-Stop	1	25.00
20	132099	Hexagon socket head cap screw coarse thread DIN 912 Cl 8.8 M 5 x 85 White zinc plated	10	1.50
21	381920	Condenser support metal sheet for Stop (zinc plated)	2	8.00
22	134502	Trilobular cap screw zinc chromate plated M5x8 UNI 8112	30	0.50
23	162028	Capacitor Aluminium 18µF Ø40x78 faston 6.3mm and bolt connection M8	1	20.00
24	131101	Zinc plated thin nut M8 UNI 5589	30	0.50
25	162009	Plastic cap for capacitors Ø=40	10	1.50
26	131710	Zinc plated toothed washer M4	30	0.50
27	134507	Trilobular cap screw zinc chromate plated M4x12 UNI 8112	30	0.50
42	156031	NBR O-ring 70 224x3	5	3.00
46	131701	Aluminium washer Ø6x10x1	30	0.50
47	134180	Stainless steel self tapping hexagon head screw Ø6.3x19 UNI 6949	15	1.00
55	340760	Magnet 2S Øe=31.5 Øi=16 th.=8 no. 6 poles	5	3.00
56	480122	Encoder support metal sheet unit for Gulliver-Stop-Pass	1	40.00
57	320470	Encoder cover (plastic, ABS, black)	5	3.00
58	132012	Hexagon socket head cap screw 8.8 zinc plated M12x30 UNI 5931	10	1.50
109	396131	Grey cable 4x1.5 L=1000 for Stop	1	15.00
155	445182	Gearmotor casing unit with sealing ring for STOP	1	90.00
156.1	460163	Unlocking device unit for Stop SLOW 6mt	1	240.00
157	460201	Worm unit M=4 I=1 L=126 SLOW 6mt	1	145.00
158	450082	Motor shaft unit for Stop V2	1	90.00
159	445004	Gearmotor cover for Stop+drilled bearing unit	1	40.00
164.2 490535 Gearmotor unit for Stop 24 Slow				
10	157002	Sealing ring SC 25x35x7	5	3.00
42	156031	NBR O-ring 70 224x3	5	3.00
46	131701	Aluminium washer Ø6x10x1	30	0.50
47	134180	Stainless steel self tapping hexagon head screw Ø6.3x19 UNI 6949	15	1.00
121	397170	Yellow-green cable 1x2.5 L=680mm with eyelets for STOP gearmotor	5	5.00
135	310474	Union flange for Stop24V (threaded)	1	20.00
136	132089	Hexagon socket head cap screw 8.8 zinc plated M6x40 partially threaded UNI 5931	30	0.50
162	470660	Electric motor with worm unit for Stop 24 Slow	1	285.00
155	445182	Gearmotor casing unit with sealing ring for STOP	1	90.00
156.1	460163	Unlocking device unit for Stop SLOW 6mt	1	240.00
157	460201	Worm unit M=4 I=1 L=126 SLOW 6mt	1	145.00
159	445004	Gearmotor cover for Stop+drilled bearing unit	1	40.00

164.3	490537	Gearmotor unit for Stop 24 Fast	1	850.00
10	157002	Sealing ring SC 25x35x7	5	3.00
42	156031	NBR O-ring 70 224x3	5	3.00
46	131701	Aluminium washer \varnothing 6x10x1	30	0.50
47	134180	Stainless steel self tapping hexagon head screw \varnothing 6.3x19 UNI 6949	15	1.00
114	332590	Bearing ring for Stop s3	1	15.00
120	350770	Adapter flange for Stop barrier	1	35.00
121	397170	Yellow-green cable 1x2.5 L=680mm with eyelets for STOP gearmotor	5	5.00
122	131401	Zinc plated Fender washer \varnothing 6.5x18x1.5	30	0.50
123	132016	Hexagon socket head cap screw 8.8 zinc plated M6x25 UNI 5931	30	0.50
161	470670	Electric motor with worm unit for Stop 24 Fast	1	240.00
155	445182	Gearmotor casing unit with sealing ring for STOP	1	90.00
156.2	460164	Unlocking device unit for Stop FAST 4mt M=4.5	1	240.00
159	445004	Gearmotor cover for Stop+drilled bearing unit	1	40.00
160	460202	Worm unit M=4.5 I=2 L=128 FAST 4mt	1	185.00
1.1	386730	Case for Stop (series2) (varnished)	1	650.00
1.2	386732	Case for Stop (series2) (STAINLESS STEEL, cathaphoresis + powder coated)	1	1.385.00
2	134864	Cap \varnothing 13.5 L=4.8 for hole \varnothing 11.9	15	1.00
3	121020	Bearing 6014 2RS (Slow) d=70 D=110 h=20	1	30.00
4	131104	Zinc plated thin nut M14 UNI 5589	15	1.00
5	132216	Hexagon head screw 8.8 zinc plated M14x45 UNI 5739	5	3.00
6	381831	Metal sheet for motor fastening for Stop (zinc plated)	1	75.00
22	134502	Trilobular cap screw zinc chromate plated M5x8 UNI 8112	30	0.50
26	131710	Zinc plated toothed washer M4	30	0.50
27	134507	Trilobular cap screw zinc chromate plated M4x12 UNI 8112	30	0.50
48	132012	Hexagon socket head cap screw 8.8 zinc plated M12x30 UNI 5931	10	1.50
49	131601	Zinc plated spring washer \varnothing 12 UNI 1751 A	30	0.50
50	131252	Zinc plated thin self-locking nut M12 UNI 7474	15	1.00
51	332201	Unlocking handle \varnothing 10 for Stop(series2) V2	1	15.00
52	341090	Unlocking device cam \varnothing 30 L=15	1	20.00
53	133501	Cone point grub screw M5x10 UNI 5927	30	0.50
54	131714	Push-on, self-locking retaining ring (type ZA) 10 \varnothing e=16	30	0.50
59	350591	Balancing lever 20x70 L=285 for Stop(series2)	1	100.00
60	130920	Shim ring 48x60x0.5	15	1.00
61	386750	Rod holding plate (zinc plated) for Stop (series2)	1	100.00
62	132610	Hexagon socket countersunk flat head screw zinc plated M14x40 UNI 5933	5	4.00
71	131505	Zinc plated flat washer \varnothing 12 UNI 6592	30	0.50
77	130921	Zinc plated shim ring 20x14x1.5	15	1.00
78	132229	Hexagon head screw 10.9 zinc plated M14x40 UNI 5739	5	4.00
79	132214	Hexagon head screw 8.8 zinc plated M12x40 UNI 5739	10	1.50
80	381810	Central unit casing metal sheet (zinc plated) for Stop (series2)	1	30.00
81	131402	Zinc plated Fender washer \varnothing 8.5x24x2	30	0.50
82	132007	Hexagon socket head cap screw 8.8 zinc plated M8x20 UNI 5931	15	1.00
83	131250	Zinc plated thin self-locking nut M8 UNI 7474	30	0.50
84	184053	Special cable grommet	10	2.00
85	320101	ABS self-extinguishing panel support box (V0 grey, 3 holes)	1	30.00
86	134503	Trilobular cap screw zinc chromate plated M5x12 UNI 8112	30	0.50
87	184061	Rubber cable grommet PG 21	5	4.00
88	470340	Terminal strip (2 poles) + yellow-green cable unit	5	4.00
91	134206	Self tapping cap screw zinc chromate plated \varnothing 2.9x16 UNI 6954	30	0.50

92	320110	ABS self-extinguishing lower cover with DEA brand (V0 grey)	1	15.00
93	134216	Self tapping cap screw zinc chromate plated \varnothing 5.5x25 UNI 6954	30	0.50
95	328160	Guard for Stop (Varnished)	1	70.00
96	322160	Flashing indicator cover gasket for PASS/STOP (series2)	5	3.00
97	322030	Flashing indicator cover for Pass/Stop	2	10.00
98	134405	Self tapping flat countersunk head screw zinc chromate plated \varnothing 3.5x13 UNI 6955	30	0.50
101.1	387120	Lower door for Stop	1	100.00
101.2	387121	Lower door for Stop (STAINLESS STEEL, cataphoresis + powder coated)	1	240.00
102	134505	Trilobular cap screw Dacromet coating chromate passivation M3.5x12 UNI 8112	30	0.50
103	382790	Safety short metal sheet for Stop (zinc plated)	1	25.00
104.1	387130	Upper door for Stop	1	65.00
104.2	387131	Upper door for Stop (STAINLESS STEEL, cataphoresis + powder coated)	1	130.00
105	136000	Nickel plated universal lock mm 17.5 CIFR.01 + key	1	20.00
106	136014	Small lever for universal lock L=40mm	10	2.00
107	132900	Round head square neck screw zinc plated M6x20 UNI 5731	30	0.50
108	131302	Zinc plated wing nut M6 UNI 5448	30	0.50
112	322060	Photocell cover for Pass/Stop	5	3.00
113	322070	DEA brand	5	4.00
124	381930	Support for control unit NET series for Pass - Stop series2	1	30.00
125	134874	Quick dual locking spacers (hole 4.0/5.4)	15	1.00
126	134210	Self tapping cap screw zinc chromate plated \varnothing 3.5x9.5 UNI 6954	30	0.50
127.1	162103	Toroidal transformer 250VA 230V/22V (no-load) + thermal switch	1	100.00
127.2	162101	Toroidal transformer 150VA 230V/22V (no-load) + thermal switch	1	85.00
128	163525	Nylon disc NY6 G30 for transformers \varnothing E= 60, \varnothing i=37, \varnothing cone= 21, hole \varnothing =7	10	2.00
129	132021	Hexagon socket button head screw 8.8 zinc plated M5x55 UNI 5931	15	1.00
130	131406	Zinc plated Fender washer \varnothing 5x20x1.5	30	0.50
131	184036	Fuse holder terminal strip (3 poles)	2	8.00
132.1	168003	Delayed fuse 5x20 3.15A	10	2.00
132.2	168000	Delayed fuse 5x20 2A	5	3.00
133	134506	Trilobular cap screw zinc chromate plated M3x15 UNI 8112	30	0.50
134	397184	Yellow-green cable, double, with wire end ferrule and eyelet for Stop e Pass	5	5.00
143	381830	Metal sheet for motor fastening (zinc plated) for Stop (series2)	1	70.00
144	340231	Bronze flange bushing \varnothing e=14 \varnothing i=10 L=7.7	2	10.00
145	164018	Micro switch S16 gold contacts 4.8x0.5 long lever	2	8.00
146	134206	Self tapping cap screw zinc chromate plated \varnothing 2.9x16 UNI 6954	30	0.50
147	396161	Black cable 3x0.5 L=1600mm+faston for Pass(serie2)	2	10.00
148	341100	Lathed disk \varnothing 80 for limit switch for Stop(serie2)	1	65.00
149	133503	Cone point grub screw M6x10 UNI 5927	30	0.50
150	311020	Limit switch cam (machined) for Pass (series2)	1	15.00
151	131501	Zinc plated flat washer \varnothing 4 UNI 6592	30	0.50
152	132100	Stainless steel hexagon socket head cap screw M4x12 UNI 5931	30	0.50
153	332200	Unlocking handle \varnothing 10 for Stop(series2)	1	45.00
154	130501	External Seeger retaining ring \varnothing 10 UNI 7435-10	30	0.50
165	430702	Accessories small bag for Stop V2	1	30.00

BOOM ACCESSORIES

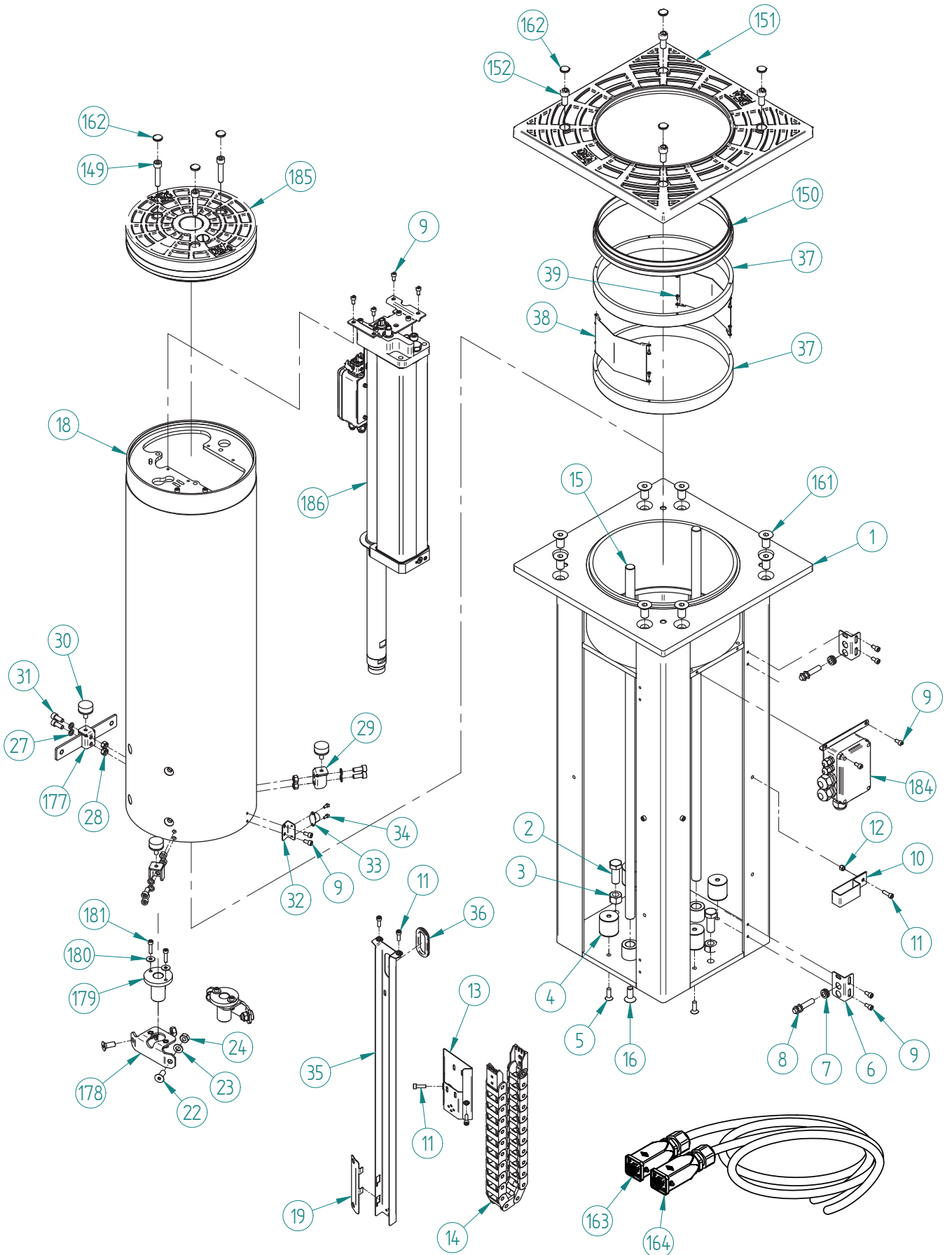
 <p>Diagram 1 shows a rectangular boom accessory with two screws. A circled number '1' with an arrow points to the top edge of the accessory.</p>	 <p>Diagram 2 shows a cylindrical boom accessory with two screws. A circled number '2' with an arrow points to the top edge of the accessory.</p>
 <p>Diagram 3 shows a cylindrical boom accessory with two screws. A circled number '3' with an arrow points to the top edge of the accessory.</p>	

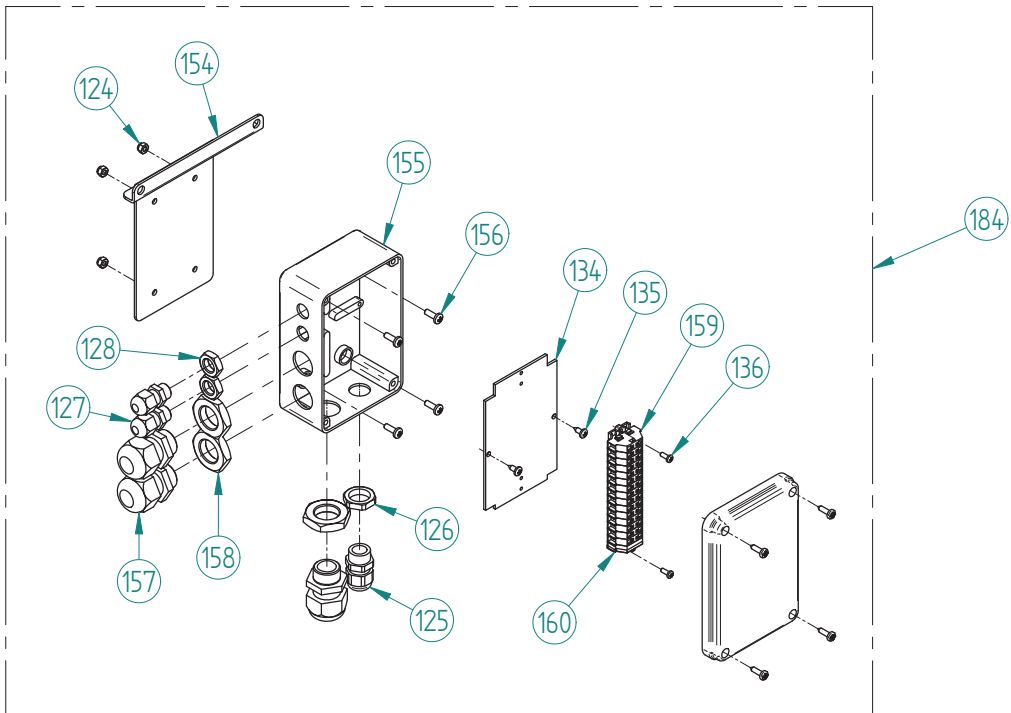
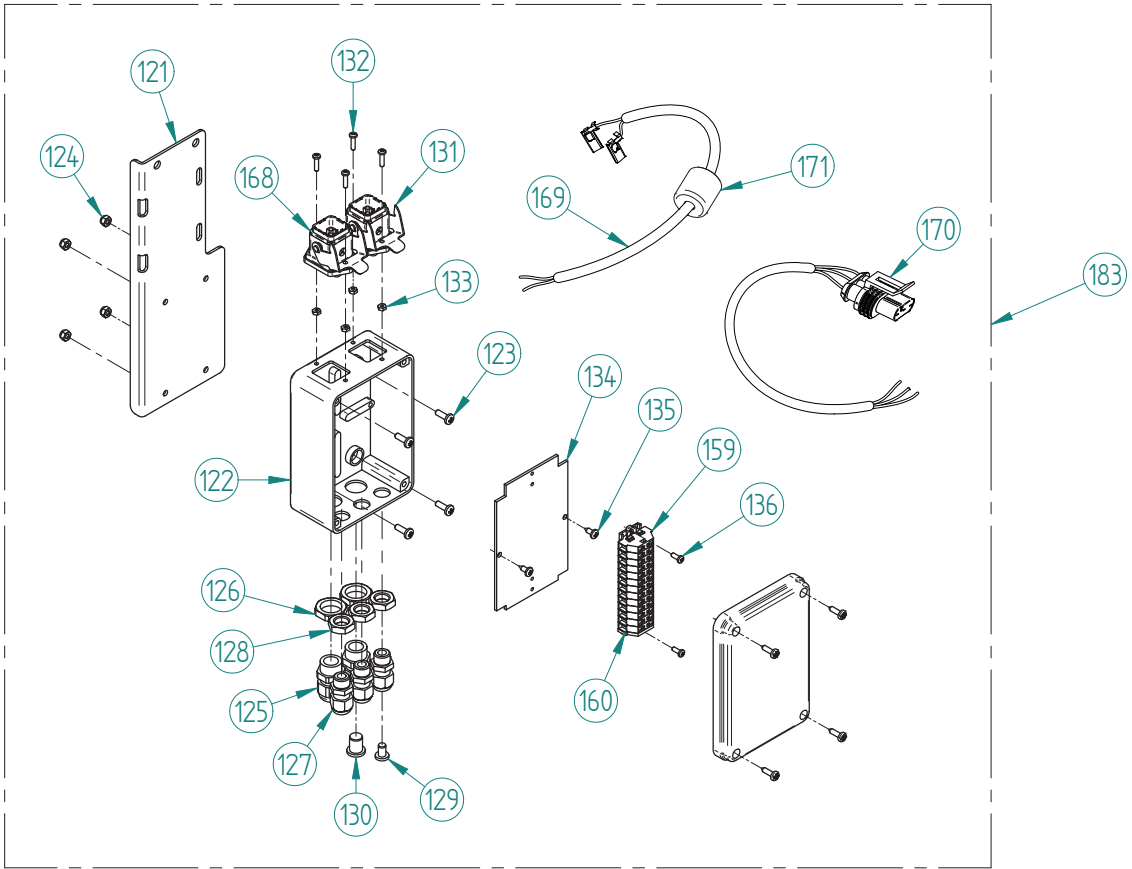
BOOM ACCESSORIES

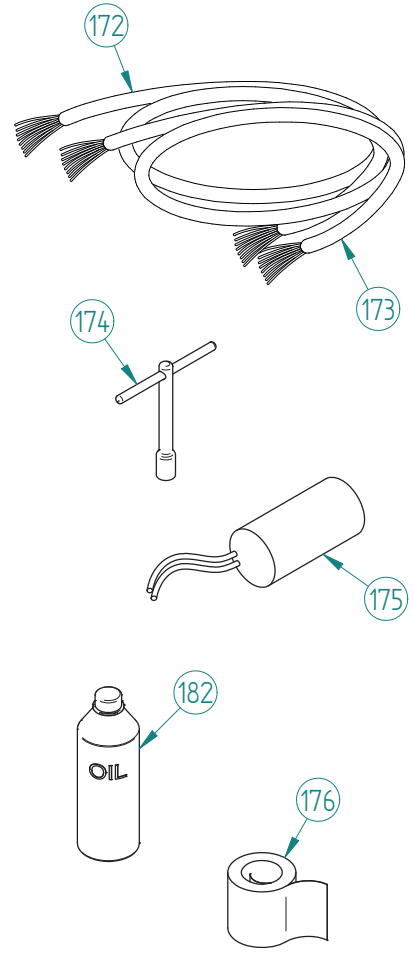
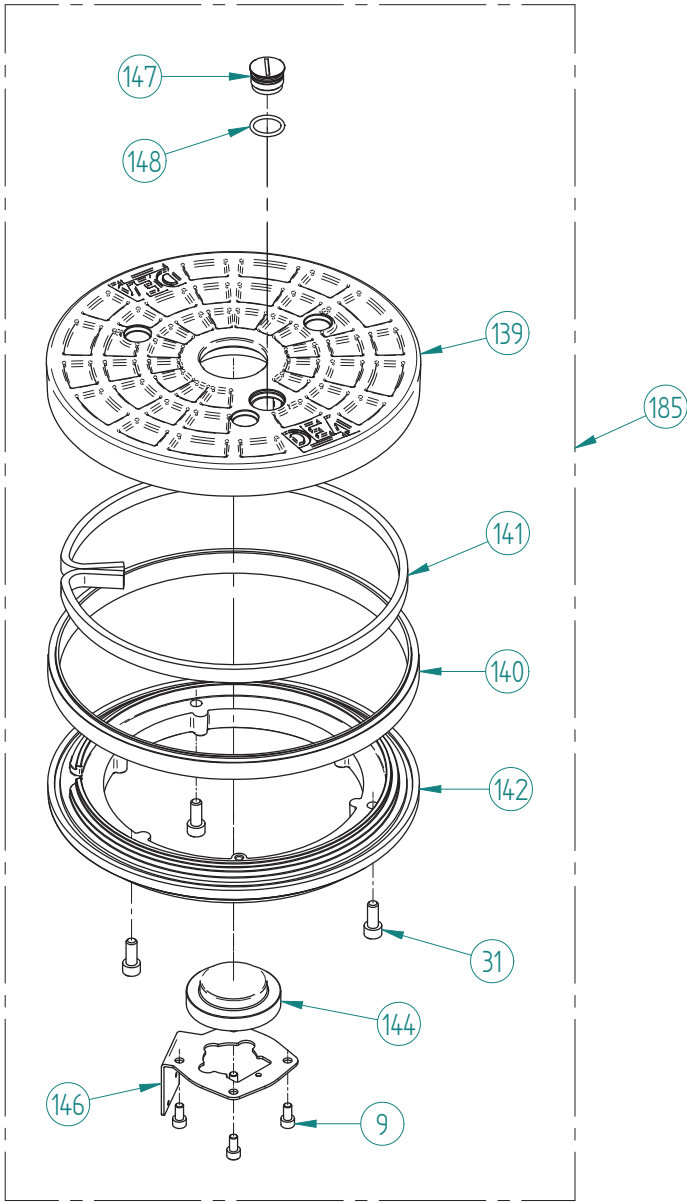
Pos.	Code	Description	Minimum Qty	Unit price in Euro
1	430840	Accessories small bag for PASS3 and PASS4	3	6.00
2	430841	Accessories small bag for STOP4, STOP 6 and STOP 7,5	3	5.00
3	430842	Accessories small bag for STOP 4N and STOP 6N	1	15.00

ROCK

230V







ROCK

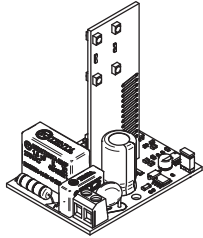
Pos.	Code	Description	Minimum Qty	Unit price in Euro
183	470640	Hydraulic unit wiring box unit for ROCK	1	260.00
121	382180	Support for hydraulic unit wiring box for ROCK	1	30.00
122	322460	Hydraulic junction box for rock	1	80.00
123	132402	Cap screw zinc chromate plated M4x10 UNI 7687	30	0.50
124	131255	Zinc plated thin self-locking nut M4 UNI 7474	30	0.50
125	184040	Polyamide cable gland M16x1.5 Øcable 5-10 RAL7035	5	3.00
126	184041	Polyamide cable gland nut M16 RAL7035	15	1.00
127	184066	Polyamide cable gland M12 RAL7035	5	3.00
128	184077	Polyamide cable gland nut M12 RAL7035	15	1.00
129	184090	Closing cap of cable gland M12 ral 7035(Fast Point 8889BB117035)	10	2.00
130	184091	Closing cap of cable gland M16 ral 7035(Fast Point 8890BB117035)	10	2.00
131	397411	Plug with gasket, 12p, with cable for bollard commands	1	95.00
132	134500	Trilobular cap screw zinc chromate plated M3x12 UNI 8112	30	0.50
133	131050	Stainless steel standard nut M3 UNI 5588	30	0.50
134	382670	Plastic base for bollard terminal strip support	1	35.00
135	134210	Self tapping cap screw zinc chromate plated Ø3.5x9.5 UNI 6954	30	0.50
136	134513	Trilobular cap screw zinc chromate plated M3x8 UNI 8112	30	0.50
159	184087	Clamp for 2 conductors with buttons on both sides (WAGO 261-301/341-000)	5	3.00
160	184088	End plate with fastening flange (WAGO 261-361)	15	1.00
168	397410	Plug with gasket, 12p, with cable for bollard power supply	1	90.00
169	397350	Pressure switch cable for bollard	5	5.00
170	397370	Cable with watertight connector, male, 3 poles	1	15.00
171	147001	Safety cap for pressure switch CAP 2	1	25.00
184	470641	Structure wiring box unit for ROCK	1	160.00
124	131255	Zinc plated thin self-locking nut M4 UNI 7474	30	0.50
125	184040	Polyamide cable gland M16x1.5 Øcable 5-10 RAL7035	5	3.00
126	184041	Polyamide cable gland nut M16 RAL7035	15	1.00
127	184066	Polyamide cable gland M12 RAL7035	5	3.00
128	184077	Polyamide cable gland nut M12 RAL7035	15	1.00
134	382670	Plastic base for bollard terminal strip support	1	35.00
135	134210	Self tapping cap screw zinc chromate plated Ø3.5x9.5 UNI 6954	30	0.50
136	134513	Trilobular cap screw zinc chromate plated M3x8 UNI 8112	30	0.50
154	382190	Support for structure wiring box for ROCK	1	35.00
155	322450	Structure junction box for rock	1	60.00
156	132402	Cap screw zinc chromate plated M4x10 UNI 7687	30	0.50
157	184067	Polyamide cable gland M20 RAL7035	5	5.00
158	184078	Polyamide cable gland nut M20 RAL7035	10	1.50
159	184087	Clamp for 2 conductors with buttons on both sides (WAGO 261-301/341-000)	5	3.00
160	184088	End plate with fastening flange (WAGO 261-361)	15	1.00
185	460730	Bollard head unit with LED for ROCK	1	515.00
9	132148	Stainless steel hexagon socket head cap screw M6x12 UNI 5931	30	0.50
31	132149	Stainless steel hexagon socket head cap screw M8x20 UNI 5931	15	1.00
139	311310	Fixed head OPEN DEA branded for Bollard	1	240.00
140	328200	LED ring for Bollard	1	25.00
141	396965	StripLed RED, L=820 12.5X4-33.3MM-24Vdc for Bollard (BT-1210FXWP15J-24R, separate connection cable)	1	40.00
142	311320	Head Ring for Bollard base	1	205.00
144	470632	LED circuit + buzzer (resin-coated) unit for ROCK	1	140.00

146	386910	Led lens support metal sheet for Bollard	1	35.00
147	332490	Unlocking device cap for Bollard	1	30.00
148	156047	NBR O-ring 70 36.14 x 2.62 TP 127	30	0.50
186	460750	Bollard hydraulic unit - stroke 700	1	2.725.00
1	386920	Bollard body frame	1	1.595.00
2	132233	Hexagon head screw 8.8 zinc plated M16x40 fully threaded	5	3.00
3	131005	Zinc plated standard nut M16 UNI 5588	15	1.00
4	158006	Female-female vibration damper M8 40x40	1	20.00
5	132656	Stainless steel hexagon socket countersunk flat head screw M8x25 UNI 5933	15	1.00
6	382200	RID support for Bollard	1	15.00
7	184089	Rubber cable grommet Fast Point 0853 CA01	15	1.00
8	166011	Cylindrical threaded magnetic sensor NC M10x0.75 (D10PCNTB0120D)	1	60.00
9	132148	Stainless steel hexagon socket head cap screw M6x12 UNI 5931	30	0.50
10	382640	Foundation cable guide	1	30.00
11	132102	Stainless steel hexagon socket head cap screw M6x20 UNI 5931	30	0.50
12	131204	Zinc plated standard self-locking nut M6 UNI 7473	30	0.50
13	382610	Threaded insert plate body cable guide	1	50.00
14	185002	Cable holder chain CPS.020.30 radius 28 length 25 pitches with terminals to be fastened type B2	1	65.00
15	332510	Column alignment bar for Bollard	1	85.00
16	132653	Stainless steel hexagon socket countersunk flat head screw M12x30 UNI 5933	5	3.00
18	382120	Steel pipe $\varnothing=273\text{mm}$ th.6.3mm L=892mm for Bollard	1	1.015.00
19	382630	Cable guide plate	1	20.00
22	132652	Stainless steel hexagon socket countersunk flat head screw M10x25 UNI 5933	10	1.50
23	131552	Stainless steel flat washer $\varnothing 10$ UNI 6592	30	0.50
24	131206	Stainless steel standard self-locking nut M10 UNI 7473	10	1.50
27	131551	Stainless steel flat washer $\varnothing 8$ UNI 6592	30	0.50
28	131205	Stainless steel standard self-locking nut M8 UNI 7473	15	1.00
29	382140	Bollard limit switch support bracket	1	20.00
30	158010	Male foot vibration damper M8 30x15	2	8.00
31	132149	Stainless steel hexagon socket head cap screw M8x20 UNI 5931	15	1.00
32	382150	Limit switch magnet support bracket for Bollard	1	15.00
33	166009	Magnetic unit 16 x 10 mm (M68L FC FC BKAZ)	1	15.00
34	132144	Stainless steel hexagon socket head cap screw M4x8 UNI 5931	30	0.50
35	382620	Column cable guide	1	60.00
36	184085	Bollard cable grommet (FAST POINT 2428CA01)	5	4.00
37	328180	Centring ring for Bollard	1	25.00
38	382210	Ring spacer for Bollard	1	35.00
39	134300	Stainless steel self tapping cap screw chromate plated $\varnothing 3.5 \times 9.5$ UNI 6954	30	0.50
149	132145	Stainless steel hexagon socket head cap screw M10x50 UNI 5931	5	3.00
150	328190	Upper centring ring for Bollard	1	30.00
151	311330	Bollard closing cover	1	240.00
152	132146	Stainless steel hexagon socket head cap screw M12x25 UNI 5931	5	3.00
161	132654	Stainless steel hexagon socket countersunk flat head screw M16x30 UNI 5933	2	8.00
162	332500	Head screws cap and closing cover for Bollard	2	10.00
172	397460	Grey cable for ROCK FG16 power supply 7x1.5 L=16000mm	1	235.00
173	397461	Cable for ROCK commands 10x0.5 L=16000mm	1	165.00
174	127008	Bollard TRIANGULAR unlocking key	1	35.00
175	162026	Capacitor Aluminium 14 μ F $\varnothing 35 \times 78$ faston 6.3mm and bolt connection M8	1	15.00
176	308930	White reflecting adhesive for bollard	1	55.00
163	397400	Cable with 12p plug for bollard power supply	1	195.00

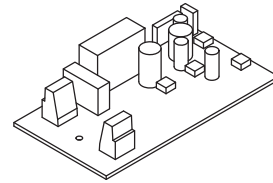
164	397401	Cable with 12p plug for bollard commands	1	145.00
177	382141	Limit switch support rocker arm	1	150.00
178	382131	Centring bushing support bracket	1	100.00
179	322540	Centring bush for Rock	1	55.00
180	131401	Zinc plated Fender washer Ø6.5x18x1.5	30	0.50
181	132157	Stainless steel hexagon socket head cap screw M6x25 UNI 5931	15	1.00
182	629150	600H Accessories: Hydraulic oil (1 lt)	1	19.50

ACCESSORIES

A51050 - art. LED230AI
A51060 - art. LED24AI



A51080 - art. AURA230
A51090 - art. AURA24

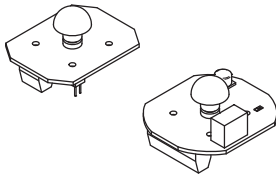


art. 105

A41011 - TX
A41001 - RX

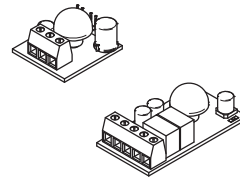
art. 105/N

A41022 - TX
A41032 - RX



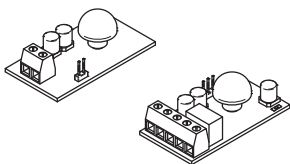
art. LINEAR/B

A41021 - TX
A41031 - RX



art. LINEAR
art. LINEAR/XS

A41020 - TX
A41030 - RX



ACCESSORIES

Pos.	Code	Description	Minimum Qty	Unit price in Euro
	A41011	105 Printed circuit board for infra-red photocell transm. from int.	1	30.00
	A41020	IR_TX Infrared photocell transmitter	1	25.00
	A41021	IR_TX_BATT Infrared photocell battery powered transmitter	1	65.00
	A41022	105/N Printed circuit board for infra-red photocell transm. from int. (V2)	1	45.00
	A41030	IR_RX Infrared photocell receiver	1	40.00
	A41031	IR_RX_BATT Infrared photocell receiver for battery powered transmitter	1	55.00
	A41032	105/N Printed circuit board for infra-red photocell transm. from int. (V2)	1	60.00
	A41001	105 Printed circuit board for infra-red photocell receiv. from int.	1	55.00
	A51080	Flashing indicator board 230V V2 AURA	1	50.00
	A51090	Flashing indicator board 24V V2 AURA	1	45.00
	A51050	Flashing LED light 230V	1	40.00
	A51060	Flashing LED light 24V	1	40.00



DEA SYSTEM S.p.A.

Via della Tecnica, 6 - 36013 Piovene Rocchette (VI) - ITALY

tel. + 39.0445.55.07.89 - fax. + 39.0445.55.02.65

info@deasystem.com - www.deasystem.com

rivenditore autorizzato

